

Aerovox[®]

Defibrillator Capacitors

FILM CAPACITORS FOR
EXTERNAL DEFIBRILLATOR
APPLICATIONS

RoHS COMPLIANT

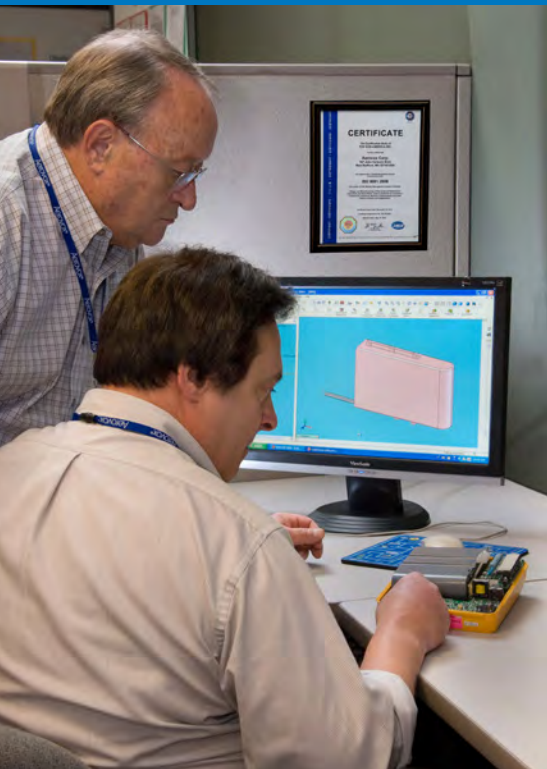


Intelligent Capacitor Solutions



Reliability and high level performance position Aerovox as the industry leader in film capacitors for external defibrillator applications. Aerovox's defibrillator capacitors are designed with extensive process validation and manufactured under a rigorous quality management system to provide high reliability, long life and complete traceability. Their small size makes them ideally suited for use in hospital, emergency room, first responder and public access defibrillators.

If your product or application requires a specialized capacitor, our expert Custom Applications Group engineers are ready to assist you.



Aerovox provides intelligent capacitor solutions.

Defibrillator Capacitors

FILM CAPACITORS FOR EXTERNAL DEFIBRILLATOR APPLICATIONS



Aerovox defibrillator capacitors are designed specifically to meet the reliability demands of a Class III medical device. In fact, leading medical device manufacturers choose Aerovox because they can count on 100% field reliability when it really matters.

These capacitors are housed in round or oval metal, oil-filled cases; or in a dry, epoxy-filled plastic housing version. Plastic cases offer excellent design flexibility, and can be customized to specific requirements. They are available in voltage ranges from 800 VDC to 6,000 VDC, delivering in excess of 500 joules at full charge.

Applications

- External Defibrillator
- Pulse Power Applications

Highlights

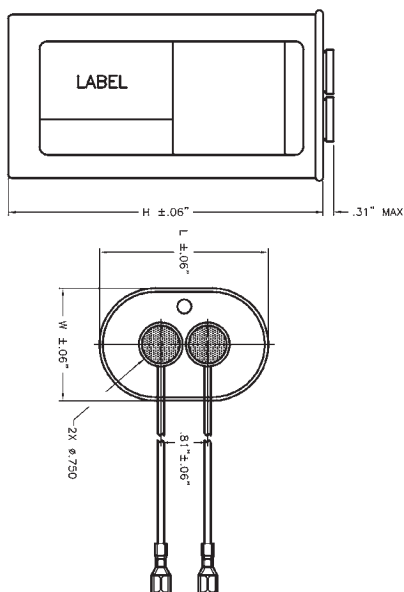
- Aluminum, steel or plastic case options
- Round and oval designs
- Available with wire harness
- High energy density
- Monophasic or bi-phasic designs
- Custom designs available
- RoHS compliant

Specifications

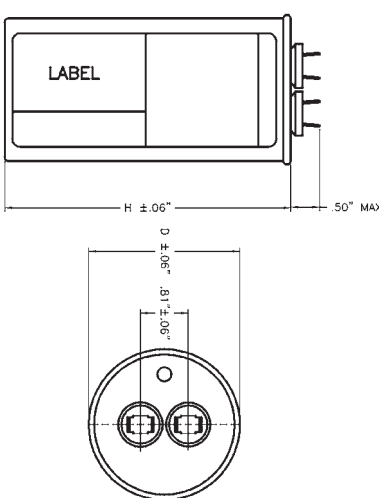
Capacitance Range:	32 to 500 μ F
Capacitance Tolerance:	\pm 5% Standard
DC Voltage Range:	800 VDC to 6,000 VDC

Outline Drawings

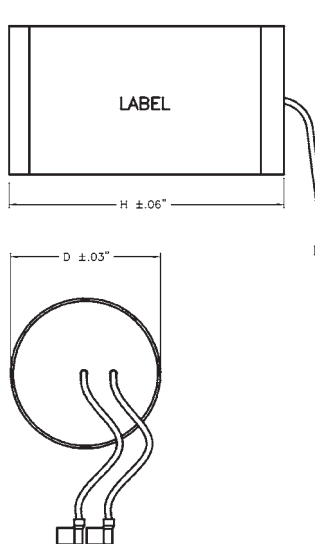
Metal – Oval



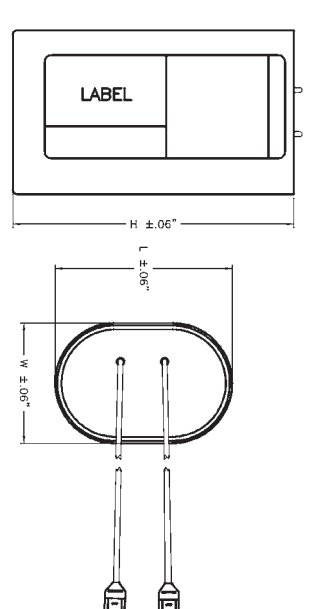
Metal – Round



Plastic – Round



Plastic – Oval

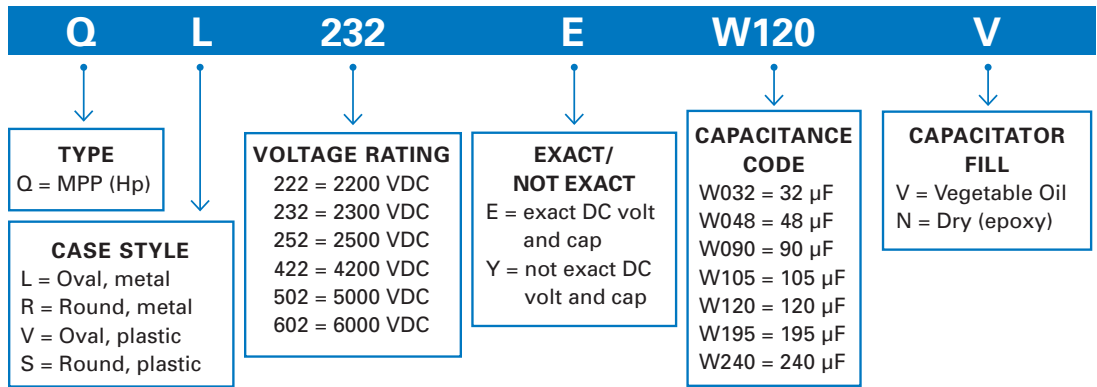


Defibrillator Capacitors

FILM CAPACITORS FOR EXTERNAL DEFIBRILLATOR APPLICATIONS

Part Numbering System

Aerovox's part numbering system is a descriptive part number made up of several different components such as case style, voltage rating, etc. The descriptors are explained using QL232EW120V as a representative part number:



CAP (μF)	AEROVOX P/N	VOLTAGE RATING (VDC)	JOULES (J)	STYLE (FILL)	SIZE W x L x H OR D x H (Inches)
120	QL232EW120V	2300	317	Oval, Metal (Oil)	1.91 x 2.91 x 3.75
32	QL502EW032V	5000	400	Oval, Metal (Oil)	1.91 x 2.91 x 6.75
48	QL422YW048V	4200	423	Oval, Metal (Oil)	1.91 x 2.91 x 5.75
195	QL232EW195V	2300	516	Oval, Metal (Oil)	1.91 x 2.91 x 5.75
195	QV232EW195N	2300	516	Oval, Plastic (Dry)	1.77 x 2.75 x 5.75
32	QL602EW032V	6000	576	Oval, Metal (Oil)	1.97 x 3.66 x 6.88
240	QL232EW240V	2300	635	Oval, Metal (Oil)	1.97 x 3.66 x 5.88
105	QR172YW105V	1760	163	Round, Metal (Oil)	1.88 x 4.75
105	QR222EW105V	2200	254	Round, Metal (Oil)	2.13 x 4.75
90	QR252EW090V	2500	281	Round, Metal (Oil)	2.63 x 4.75
195	QR222EW195V	2200	472	Round, Metal (Oil)	2.63 x 4.75
195	QS222EW195N	2200	472	Round, Plastic (Dry)	2.57 x 4.69
195	QR232EW195V	2300	516	Round, Metal (Oil)	2.38 x 5.60

About Aerovox

Aerovox is a leading manufacturer of capacitors for industrial, medical and specialized applications, with world-class design, manufacturing and testing facilities in New Bedford, MA. Global manufacturing facilities in China and India enable quick turn-around for shipping and delivery worldwide.

Aerovox capacitors are among the world's most reliable components. Our extensive custom design and development capabilities coupled with broad, standardized product offerings allow us to provide intelligent capacitor solutions that meet or exceed customers' application requirements.

Our aim is to be the best and most sought after provider of capacitor solutions for specialty markets in the world by achieving the highest level of customer satisfaction with extraordinary emphasis on the creation of value and speed to market.



Aerovox Corp.
167 John Vertente Blvd.
New Bedford, MA 02745
Tel: +1-508-994-9661
Fax: +1-508-995-3000
www.aerovox.com

Aerovox China
28 Wangehun Rd
Ningbo, Zhejiang
China

Aerovox India
Plot # 30 to 33
Hardware Park
Imarat Kanha
Raviryal Village
Maheshwaram Mandal
R R District – 500 066
Andhra Pradesh State
India

Copyright 2015, Aerovox Corp.
Aerovox is a registered trademark of Aerovox Corp.