



Z33M & Z40M Series

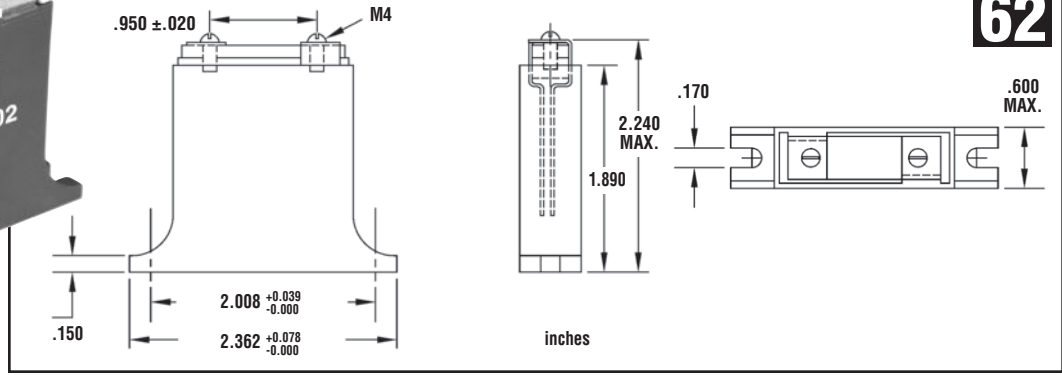


FIGURE 62

Part Number	Agency Mark	Maximum Applied Voltage		Varistor Voltage @ 1mA DC V	Maximum Energy 2mS J	Maximum Clamping Voltage		Peak Current 8/20µS A	Typical Capacitance 1 kHz pF	Figure
		AC <sub>RMS</sub> V	DC V			V <sub>c</sub> V	I <sub>p</sub> A			
<b>Z33M Series - MOVs</b>										
Z33M201	RA 2	130	170	205(180-220)	210	340	200	25000	4100	62
Z33M241	RA 2	150	200	240(216-264)	240	395	200	25000	3400	62
Z33M271	RA 2	175	225	270(243-303)	255	455	200	25000	2900	62
Z33M331	RA 2	210	275	330(297-363)	320	550	200	25000	2600	62
Z33M361	RA 2	230	300	360(324-396)	325	595	200	25000	2300	62
Z33M391	RA 2	250	320	390(351-429)	350	650	200	25000	2100	62
Z33M431	RA 2	275	350	430(387-473)	400	710	200	25000	2000	62
Z33M471	RA 2	300	385	470(423-517)	405	775	200	25000	1700	62
Z33M511	RA 2	320	415	510(459-561)	415	845	200	25000	1600	62
Z33M621	RA 2	385	505	620(558-682)	425	1025	200	25000	1300	62
Z33M681	RA 2	420	560	680(612-748)	450	1120	200	25000	1300	62
Z33M751	RA 2	460	615	750(675-825)	500	1240	200	25000	1100	62
Z33M781	RA 2	485	640	780(702-858)	520	1290	200	25000	1100	62
Z33M821	RA 2	510	670	820(738-902)	545	1355	200	25000	1000	62
Z33M911	RA 2	550	745	910(819-1001)	600	1500	200	25000	950	62
Z33M951	RA 2	580	760	950(855-1045)	600	1500	200	25000	900	62
Z33M102	RA 2	625	825	1000(900-1100)	655	1650	200	25000	840	62
Z33M112	RA 2	680	895	1100(990-1210)	725	1815	200	25000	770	62
Z33M122	RA 2	750	970	1200(1080-1320)	800	2000	200	25000	690	62
Z33M142	RA 2	880	1150	1400(1260-1540)	850	2290	200	25000	590	62
Z33M162	RA 2	1000	1200	1600(1440-1760)	900	2550	200	25000	520	62
<b>Z40M Series - MOVs</b>										
Z40M201	RA 1	130	170	205(180-220)	310	340	300	40000	7900	62
Z40M241	RA 1	150	200	240(216-264)	360	395	300	40000	6600	62
Z40M271	RA 1	175	225	270(243-303)	380	455	300	40000	5600	62
Z40M331	RA 1	215	275	330(297-363)	430	545	300	40000	5000	62
Z40M361	RA 1	230	300	360(324-396)	460	595	300	40000	4400	62
Z40M391	RA 1	250	320	390(351-429)	490	650	300	40000	4100	62
Z40M431	RA 1	275	350	430(387-473)	550	710	300	40000	3800	62
Z40M471	RA 1	300	385	470(423-517)	590	775	300	40000	3400	62
Z40M511	RA 1	320	415	510(459-561)	640	845	300	40000	3200	62
Z40M621	RA 1	385	505	620(558-682)	800	1025	300	40000	2600	62
Z40M681	RA 1	420	560	680(612-748)	830	1120	300	40000	2400	62
Z40M751	RA 1	460	615	750(675-825)	850	1240	300	40000	2200	62
Z40M781	RA 1	485	640	780(702-858)	890	1290	300	40000	2100	62
Z40M821	RA 1	510	670	820(738-902)	920	1355	300	40000	2000	62
Z40M911	RA 1	550	745	910(819-1001)	960	1500	300	40000	1800	62
Z40M951	RA 1	580	760	950(855-1045)	1000	1500	300	40000	1700	62
Z40M102	RA 1	625	825	1000(900-1100)	1020	1650	300	40000	1600	62
Z40M112	RA 1	680	895	1100(990-1210)	1100	1815	300	40000	1500	62
Z40M122	RA 1	750	970	1200(1080-1320)	1200	2000	300	40000	1300	62
Z40M142	RA 1	880	1150	1400(1260-1540)	1300	2290	300	40000	1100	62
Z40M162	RA 1	1000	1200	1600(1440-1760)	1400	2550	300	40000	1000	62

Radial leaded MOVs having the Underwriters Laboratory Recognized Component Mark, conform to UL 1414, UL1449 edition 3, as listed on DT1 UL file number E319342. Maximum Power Dissipation is 2 watts.

Typical response time is less than 15 nanoseconds.

See page 57 for explanation of UL Surge Suppression Device Type Designations.

All devices listed are RoHS compliant.