



FIGURE 73

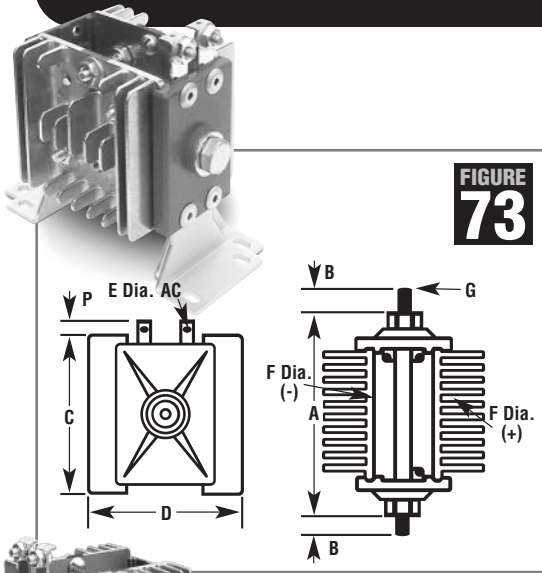
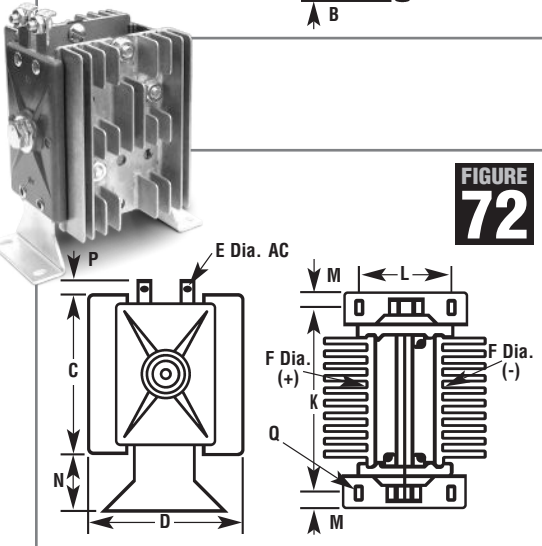
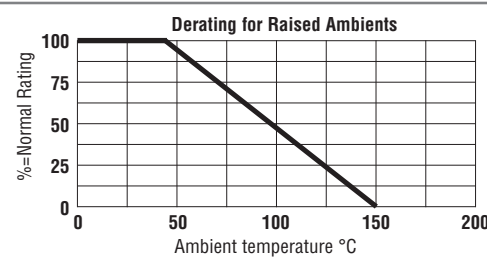


FIGURE 72



Dimensions

	X Type		Y Type	
	Inches	Millimeters	Inches	Millimeters
A	4.31	109.4	4.0	101.6
B	.625	15.87	0.5	12.7
C	4.0	101.6	2.5	63.5
D	3.12	79.2	2.56	65.0
E	.201	5.10	.177	4.495
F	.265	6.731	.198	5.029
G	3/8 - 16UNC - 3A		5/16 - 16UNC - 3A	
K	3.93	15.87	3.75	95.2
L	1.5	101.6	1.25	31.7
M	.281	79.2	.281	7.137
N	.875	5.10	.937	23.79
P	.625	6.731	.625	15.87
Q	3/16x5/16		3/16x5/16	



Please Note: Other circuit arrangements available, doubler, quadrupler, single phase and three phase bridges. Fast recovery and MOV compensation can be requested.

* Available with bracket (B) or stud (N) mounting. Fast recovery and MOV compensation available on request. All listed products shipped on December 31, 2013 or later will be RoHS Compliant. Available earlier by special request, contact factory or sales rep for availability.

Part Number	Rep. Peak Reverse Voltage V_{RRM}	Avg. Forward Current		Max. Forward Voltage Drop $V_f @ I_f$	Max. Reverse Current $I_r @ V_{RRM} @ 25^\circ C$	Max. Surge Current I_{FSM}^2	Figure
	V	40°C A	40°C ¹ A	V	mA	A	
Single Phase Bridges							
Y2120B1*1	200	14	26	1.2	5	370	73
Y2140B1*1	400	14	26	1.2	5	370	73
Y2160B1*1	600	14	26	1.2	5	370	73
Y2180B1*1	800	14	26	1.2	5	370	73
Y21100B1*1	1000	14	26	1.2	5	370	73
Y21120B1*1	1200	14	26	1.2	5	370	73
Y21140B1*1	1400	14	26	1.2	5	370	73
Y21160B1*1	1600	14	26	1.2	5	370	73
X2120B1*1	200	22	40	1.2	5	370	72
X2140B1*1	400	22	40	1.2	5	370	72
X2160B1*1	600	22	40	1.2	5	370	72
X2180B1*1	800	22	40	1.2	5	370	72
X21100B1*1	1000	22	40	1.2	5	370	72
X21120B1*1	1200	22	40	1.2	5	370	72
X21140B1*1	1400	22	40	1.2	5	370	72
X21160B1*1	1600	22	40	1.2	5	370	72
X3420B1*1	200	35	68	1.2	5	1050	72
X3440B1*1	400	35	68	1.2	5	1050	72
X3460B1*1	600	35	68	1.2	5	1050	72
X3480B1*1	800	35	68	1.2	5	1050	72
X34100B1*1	1000	35	68	1.2	5	1050	72
X34120B1*1	1200	35	68	1.2	5	1050	72
X34140B1*1	1400	35	68	1.2	5	1050	72
X34160B1*1	1600	35	68	1.2	5	1050	72
X3720B1*1	200	43	80	1.2	5	1500	72
X3740B1*1	400	43	80	1.2	5	1500	72
X3760B1*1	600	43	80	1.2	5	1500	72
X3780B1*1	800	43	80	1.2	5	1500	72
X37100B1*1	1000	43	80	1.2	5	1500	72
X37120B1*1	1200	43	80	1.2	5	1500	72
X37140B1*1	1400	43	80	1.2	5	1500	72
X37160B1*1	1600	43	80	1.2	5	1500	72
Three Phase Bridges							
Y2120Z1*1	200	22	42	1.2	5	370	73
Y2140Z1*1	400	22	42	1.2	5	370	73
Y2160Z1*1	600	22	42	1.2	5	370	73
Y2180Z1*1	800	22	42	1.2	5	370	73
Y21100Z1*1	1000	22	42	1.2	5	370	73
Y21120Z1*1	1200	22	42	1.2	5	370	73
Y21140Z1*1	1400	22	42	1.2	5	370	73
Y21160Z1*1	1600	22	42	1.2	5	370	73
X2120Z1*1	200	26	55	1.2	5	370	72
X2140Z1*1	400	26	55	1.2	5	370	72
X2160Z1*1	600	26	55	1.2	5	370	72
X2180Z1*1	800	26	55	1.2	5	370	72
X21100Z1*1	1000	26	55	1.2	5	370	72
X21120Z1*1	1200	26	55	1.2	5	370	72
X21140Z1*1	1400	26	55	1.2	5	370	72
X21160Z1*1	1600	26	55	1.2	5	370	72
X3420Z1*1	200	55	100	1.2	5	1050	72
X3440Z1*1	400	55	100	1.2	5	1050	72
X3460Z1*1	600	55	100	1.2	5	1050	72
X3480Z1*1	800	55	100	1.2	5	1050	72
X34100Z1*1	1000	55	100	1.2	5	1050	72
X34120Z1*1	1200	55	100	1.2	5	1050	72
X34140Z1*1	1400	55	100	1.2	5	1050	72
X34160Z1*1	1600	55	100	1.2	5	1050	72
X3720Z1*1	200	65	120	1.2	5	1500	72
X3740Z1*1	400	65	120	1.2	5	1500	72
X3760Z1*1	600	65	120	1.2	5	1500	72
X3780Z1*1	800	65	120	1.2	5	1500	72
X37100Z1*1	1000	65	120	1.2	5	1500	72
X37120Z1*1	1200	65	120	1.2	5	1500	72
X37140Z1*1	1400	65	120	1.2	5	1500	72
X37160Z1*1	1600	65	120	1.2	5	1500	72

¹ Current rating based on cooling airflow of 800LFM
² 1/2 Sine(60Hz) @ 25°C