

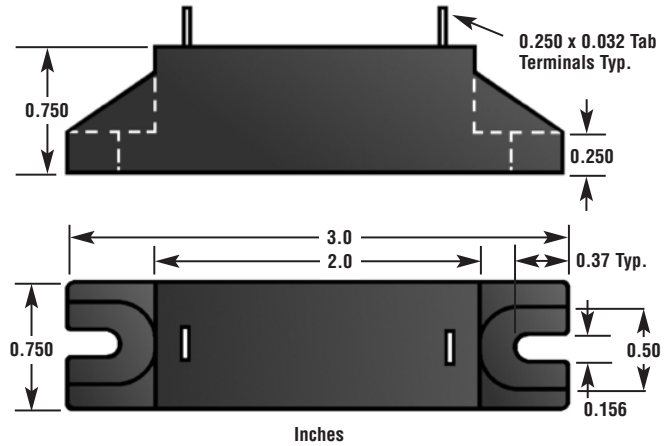


HC, 3HC, 3HCF, HCUF Rectifier Blocks High Voltage, Mounting Slots

FIGURE 14



Please Note:
For Solder Turrets Add Suffix "T"



Part Number	Repetitive Peak Reverse Voltage V_{RRM} V	Avg. Forward Current Max. $I_{FAVM@55^{\circ}C}$ A	Max. Forward Voltage Drop $V_F@I_{FAVM}$ V	Max. Reverse Current $I_R@V_{RRM@25^{\circ}C}$ μA	Max. Surge Current $I_{FSM}(8.3ms)$ A	Max. Reverse Recovery Time T_{RR} nS	Figure
HC Series - Standard Recovery 1.0 Amp Glass Passivated Rectifier Assembly							
HC5	5000	1.0	4.5	0.5	50	-	14
HC8	8000	1.0	7.2	0.5	50	-	14
HC10	10000	1.0	9.0	0.5	50	-	14
HC12	12000	0.8	10.5	0.5	50	-	14
HC15	15000	0.7	14.0	0.5	50	-	14
HC20	20000	0.6	21.0	0.5	50	-	14
3HC Series - Standard Recovery 3.0 Amp Glass Passivated Rectifier Assembly							
3HC5	5000	2.5	4.8	0.5	150	-	14
3HC10	10000	2.0	9.0	0.5	150	-	14
3HC12	12000	1.75	10.5	0.5	150	-	14
3HC15	15000	1.5	13.2	0.5	150	-	14
HCF Series - Fast Recovery 1.0 Amp Glass Passivated Rectifier Assembly T_{RR} 150nS							
HCF5	5000	1.0	8.0	1.0	50	150	14
HCF8	8000	1.0	12.0	1.0	50	150	14
HCF10	10000	0.8	15.0	1.0	50	150	14
HCF12	12000	0.7	18.0	1.0	50	150	14
3HCF Series - Fast Recovery 3.0 Amp Glass Passivated Rectifier Assembly T_{RR} 250nS							
3HCF5	5000	2.0	7.0	0.5	100	250	14
3HCF10	10000	1.5	13.0	0.5	100	250	14
HCUF Series - Ultra Fast Recovery 1.0 Amp Rectifier Assembly T_{RR} 75nS							
HCUF5	5000	1.0	5.5	1.0	35	75	14
HCUF8	8000	1.0	8.8	1.0	35	75	14
HCUF10	10000	0.8	11.0	1.0	35	75	14
HCUF12	12000	0.7	13.2	1.0	35	75	14
HCUF15	15000	0.6	17.0	1.0	35	75	14
HCUSF Series - Ultra Super Fast Recovery 1.0 Amp Rectifier Assembly T_{RR} 35nS							
HCUSF5	5000	0.65	7.0	1.0	10	35	14
HCUSF8	8000	0.65	11.2	1.0	10	35	14
HCUSF10	10000	0.5	14.0	1.0	10	35	14
HCUSF12	12000	0.5	16.8	1.0	10	35	14
HCUSF15	15000	0.5	21.0	1.0	10	35	14
2HCUSF Series - Ultra Super Fast Recovery 2.0 Amp Rectifier Assembly T_{RR} 40nS							
2HCUSF3	3000	1.75	6.0	5.0	60	40	14
2HCUSF5	5000	1.75	10.0	5.0	60	40	14
2HCUSF8	8000	1.5	16.0	5.0	60	40	14
3HCUF Series - Fast Recovery 3.0 Amp Rectifier Assembly T_{RR} 75nS							
3HCUF5	5000	2.25	7.0	5.0	150	75	14
3HCUF8	8000	2.0	11.2	5.0	150	75	14
3HCUF10	10000	2.0	14.0	5.0	150	75	14

See page 23 for notes on max package operating voltage - V_{RRM} vs package applicability

All listed products shipped on December 31, 2013 or later will be RoHS Compliant. Available earlier by special request, contact factory or sales rep for availability.