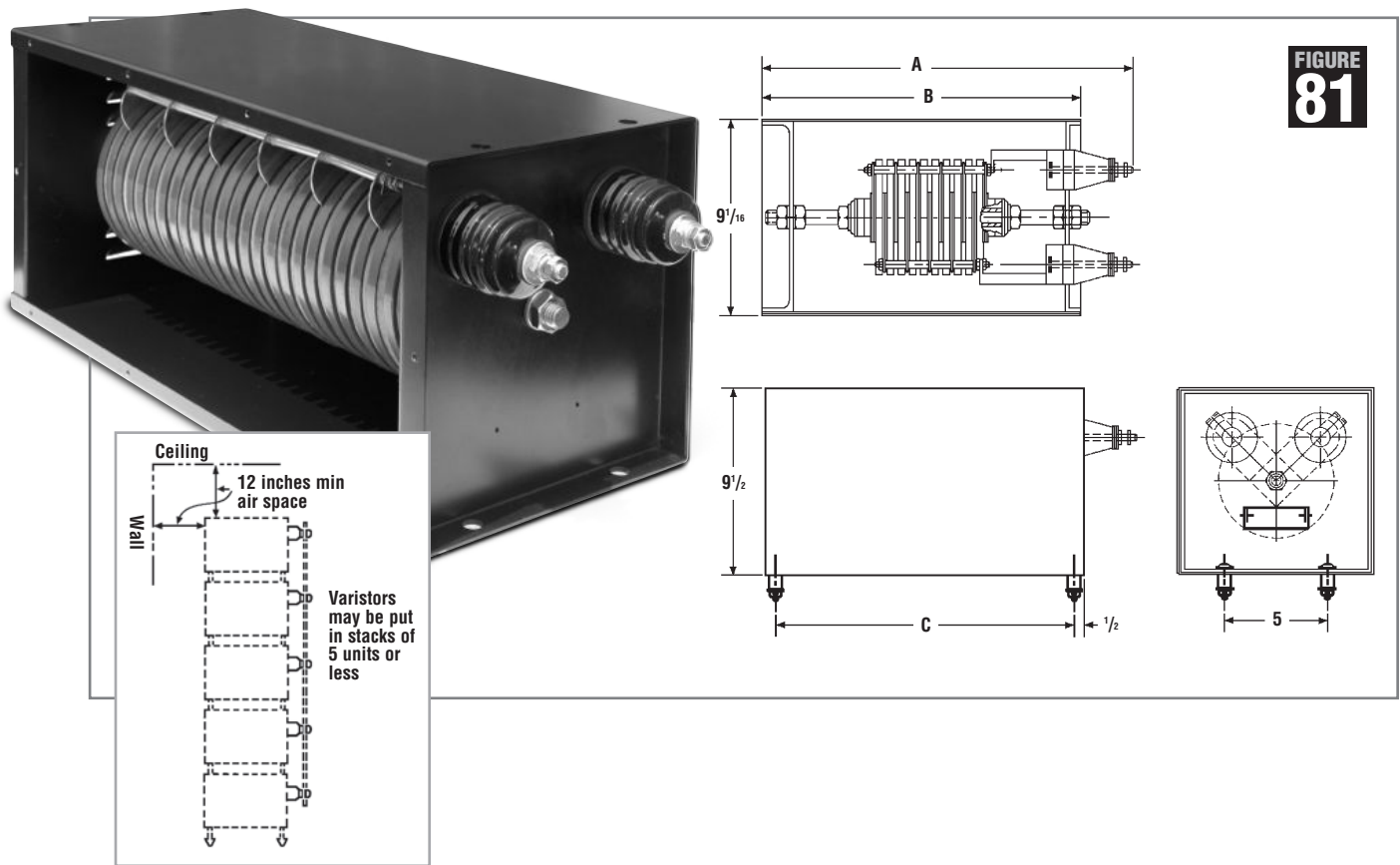




**FIGURE 81**



Part Number	Max. Continuous DC Operating Voltage V <sup>1</sup>	Maximum Continuous Power Rating W	Maximum Discharge Capacity <sup>2</sup> J	Max. Clamping Voltage V <sub>c</sub> @ I <sub>p</sub>		Number of Discs in Assembly	Dimensions in Inches			Approx. Weight		Figure
				V <sub>c</sub> V	I <sub>p</sub> A		A	B	C	Net lbs	Shipping lbs	
<b>9RV6A Series - Silicon Carbide Surge Suppressor Assemblies</b>												
9RV6A50	150	200	450,000	300	780	20	23.50	21.50	20.50	52	59	81
9RV6A51	200	200	450,000	250	990	20	23.88	21.50	20.50	52	59	81
9RV6A52	275	200	450,000	200	1,200	20	23.88	21.50	20.50	52	59	81
9RV6A53	300	240	540,000	170	1,550	24	23.88	21.50	20.50	57	64	81
9RV6A54	400	240	540,000	140	1,900	24	23.88	21.50	20.50	57	64	81
9RV6A55	550	240	540,000	60	2,160	24	23.88	21.50	20.50	57	64	81
9RV6A60	150	100	225,000	150	780	10	17.75	15.75	14.75	33	40	81
9RV6A61	200	100	225,000	125	990	10	17.75	15.75	14.75	33	40	81
9RV6A62	275	100	225,000	100	1,200	10	17.75	15.75	14.75	33	40	81
9RV6A63	300	120	270,000	135	1,550	12	17.75	15.75	14.75	35	42	81
9RV6A64	400	120	270,000	70	1,900	12	17.75	15.75	14.75	35	42	81
9RV6A65	550	120	270,000	30	2,160	12	17.75	15.75	14.75	35	42	81

**Maximum Ratings:**

Continuous body temperature limited to 110°C. Short-term body temperature can reach 150°C.

Notes:

<sup>1</sup> AC voltage rating of approximately 90% of the DC voltage rating may be used.

<sup>2</sup> The Discharge Capacity value should not be exceeded by the energy stored in the magnetic or inductive field (W=1/2LI<sup>2</sup>). A discharge of energy equal to the Discharge Capacity value will result in a temperature rise of approximately 80°C.

Most bracket mounted assemblies are also available for stud mounting. Substitute "C" for "A" in catalog number. All varistors are moisture protected with silicone impregnation. See factory for possible variations.

All devices are RoHS Compliant