

Series













MOD Series
M Series
MC Series
MCS Series
VP Series
100 Series
S Series

- Operating voltage from 10 kVDC to 15 kVDC
- Operating current up to 13 A
- 2 - 5 HV contacts
- For cable sizes AWG 26-14

P/N	Description	Plug	Receptacle	Cable mount	Panel mount	Coupling	Adapter	HV-pins
5002010R	GB-MC207 POM		•		•			2
5002020R	GS-MC207 POM	•			•			2
5002030A	KS-MC207/6,5-8 POM	•		•				2
5002030B	KS-MC207/8-9,5 POM	•		•				2
5002030C	KS-MC207/9,5-11POM	•		•				2
5002030D	KS-MC207/11-12,5 POM	•		•				2
5002030E	KS-MC207/12,5-14 POM	•		•				2
5002030M	KS-MC207/M20 POM	•		•			•	2
5002030N	KS-MC207/M25 POM	•		•			•	2
5002040A	KB-MC207/6,5-8 POM		•	•				2
5002040B	KB-MC207/8-9,5 POM		•	•				2
5002040C	KB-MC207/9,5-11POM		•	•				2
5002040D	KB-MC207/11-12,5 POM		•	•				2
5002040E	KB-MC207/12,5-14 POM		•	•				2
5002040M	KB-MC207/M20 POM		•	•			•	2
5002040N	KB-MC207/M25 POM		•	•			•	2
5002041A	KBI-MC207/6,5-8 POM		•	•		•		2
5002041B	KBI-MC207/8-9,5 POM		•	•		•		2
5002041C	KBI-MC207/9,5-11POM		•	•		•		2
5002041D	KBI-MC207/11-12,5 POM		•	•		•		2
5002041E	KBI-MC207/12,5-14 POM		•	•		•		2
5002041M	KBI-MC207/M20 POM		•	•		•	•	2
5002041N	KBI-MC207/M25 POM		•	•		•	•	2
5003010R	GB-MC307 POM		•		•			3
5003020R	GS-MC307 POM				•			3
5003030A	KS-MC307/6,5-8 POM	•		•				3
5003030B	KS-MC307/8-9,5 POM	•		•				3
5003030C	KS-MC307/9,5-11POM	•		•				3
5003030D	KS-MC307/11-12,5 POM	•		•				3
5003030E	KS-MC307/12,5-14 POM	•		•				3
5003030M	KS-MC307/M20 POM	•		•			•	3
5003030N	KS-MC307/M25 POM	•		•			•	3
5003040A	KB-MC307/6,5-8 POM	•	•	•				3
5003040B	KB-MC307/8-9,5 POM		•	•				3
5003040C	KB-MC307/9,5-11POM		•	•				3
5003040D	KB-MC307/11-12,5 POM		•	•				3
5003040E	KB-MC307/12,5-14 POM		•	•				3
5003040M	KB-MC307/M20 POM		•	•			•	3
5003040N	KB-MC307/M25 POM		•	•			•	3
5003041A	KBI-MC307/6,5-8 POM		•	•		•		3
5003041B	KBI-MC307/8-9,5 POM		•	•		•		3
5003041C	KBI-MC307/9,5-11POM		•	•		•		3
5003041D	KBI-MC307/11-12,5 POM		•	•		•		3
5003041E	KBI-MC307/12,5-14 POM		•	•		•		3
5003041M	KBI-MC307/M20 POM		•	•		•	•	3
5003041N	KBI-MC307/M25 POM		•	•		•	•	3
5004010R	GB-MC407 POM		•		•			4
5004020R	GS-MC407 POM	•			•			4
5004030A	KS-MC407/6,5-8 POM	•		•				4
5004030B	KS-MC407/8-9,5 POM	•		•				4
5004030C	KS-MC407/9,5-11POM	•		•				4
5004030D	KS-MC407/11-12,5 POM	•		•				4
5004030E	KS-MC407/12,5-14 POM	•		•				4
5004030M	KS-MC407/M20 POM	•		•			•	4
5004030N	KS-MC407/M25 POM	•		•			•	4
5004040A	KB-MC407/6,5-8 POM		•	•				4
5004040B	KB-MC407/8-9,5 POM		•	•				4
5004040C	KB-MC407/9,5-11POM		•	•				4
5004040D	KB-MC407/11-12,5 POM		•	•				4
5004040E	KB-MC407/12,5-14 POM		•	•				4
5004040M	KB-MC407/M20 POM		•	•			•	4
5004040N	KB-MC407/M25 POM		•	•			•	4
5004042A	KBI-MC407/6,5-8 POM		•	•		•		4
5004042B	KBI-MC407/8-9,5 POM		•	•		•		4
5004042C	KBI-MC407/9,5-11POM		•	•		•		4
5004042D	KBI-MC407/11-12,5 POM		•	•		•		4
5004042E	KBI-MC407/12,5-14 POM		•	•		•		4
5004042M	KBI-MC407/M20 POM		•	•		•	•	4
5004042N	KBI-MC407/M25 POM		•	•		•	•	4

P/N	Description	Plug	Receptacle	Cable mount	Panel mount	Coupling	Adapter	HV-pins
5005010R	GB-MC507 POM		•		•			5
5005020R	GS-MC507 POM	•			•			5
5005030A	KS-MC507/6,5-8 POM	•		•				5
5005030B	KS-MC507/8-9,5 POM	•		•				5
5005030C	KS-MC507/9,5-11POM	•		•				5
5005030D	KS-MC507/11-12,5 POM	•		•				5
5005030E	KS-MC507/12,5-14 POM	•		•				5
5005030M	KS-MC507/M20 POM	•		•			•	5
5005030N	KS-MC507/M25 POM	•		•			•	5
5005040A	KB-MC507/6,5-8 POM		•	•				5
5005040B	KB-MC507/8-9,5 POM		•	•				5
5005040C	KB-MC507/9,5-11POM		•	•				5
5005040D	KB-MC507/11-12,5 POM		•	•				5
5005040E	KB-MC507/12,5-14 POM		•	•				5
5005040M	KB-MC507/M20 POM		•	•			•	5
5005040N	KB-MC507/M25 POM		•	•			•	5
5005042A	KBI-MC507/6,5-8 POM		•	•		•		5
5005042B	KBI-MC507/8-9,5 POM		•	•		•		5
5005042C	KBI-MC507/9,5-11POM		•	•		•		5
5005042D	KBI-MC507/11-12,5 POM		•	•		•		5
5005042E	KBI-MC507/12,5-14 POM		•	•		•		5
5005042M	KBI-MC507/M20 POM		•	•		•	•	5
5005042N	KBI-MC507/M25 POM		•	•		•	•	5
5005115R	GB-MC520 POM		•		•			5
5005125R	GS-MC520 POM	•			•			5
5005135A	KS-MC520/6,5-8 POM	•		•				5
5005135B	KS-MC520/8-9,5 POM	•		•				5
5005135C	KS-MC520/9,5-11POM	•		•				5
5005135D	KS-MC520/11-12,5 POM	•		•				5
5005135E	KS-MC520/12,5-14 POM	•		•				5
5005135M	KS-MC520/M20 POM	•		•			•	5
5005135N	KS-MC520/M25 POM	•		•			•	5
5005145A	KB-MC520/6,5-8 POM		•	•				5
5005145B	KB-MC520/8-9,5 POM		•	•				5
5005145C	KB-MC520/9,5-11POM		•	•				5
5005145D	KB-MC520/11-12,5 POM		•	•				5
5005145E	KB-MC520/12,5-14 POM		•	•				5
5005145M	KB-MC520/M20 POM		•	•			•	5
5005145N	KB-MC520/M25 POM		•	•			•	5
5005146A	KBI-MC520/6,5-8 POM		•	•		•		5
5005146B	KBI-MC520/8-9,5 POM		•	•		•		5
5005146C	KBI-MC520/9,5-11POM		•	•		•		5
5005146D	KBI-MC520/11-12,5 POM		•	•		•		5
5005146E	KBI-MC520/12,5-14 POM		•	•		•		5
5005146M	KBI-MC520/M20 POM		•	•		•	•	5
5005146N	KBI-MC520/M25 POM		•	•		•	•	5

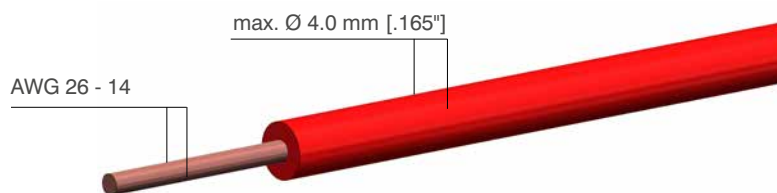
Steps	Parts				
<p>1 Choose connector type</p> <p>Example: 2-pole</p> <p>(page 88-97)</p>	<p>receptacle, panel mount</p> 	<p>plug, panel mount</p> 	<p>receptacle, cable mount</p> 	<p>plug, cable mount</p> 	<p>coupling, cable mount</p> 
<p>2 Choose contacts</p> <p>(page 98)</p>	<p>female contact</p> 	<p>male contact</p> 	<p>female contact</p> 	<p>male contact</p> 	<p>female contact</p> 
<p>3 Choose accessories (optional)</p> <p>(page 99-100)</p>	<p>gaskets coverings</p>				

Housing	
Locking system	threaded coupling
Mounting type (panel mount connector)	4-hole flange
Housing material basis / adapter	brass (CuZn)
Surface plating	nickel (Ni)
Protection class (mated connector)	IP60 (IP63 / IP67 on request)
Operating temperature	-30 °C to +80 °C

Contacts 1.6 mm	
Termination method	solder / crimp
Rated current	13 A
Contact resistance	≤ 5 mΩ
Contact diameter	1.6 mm [.063"]
Wire size (AWG / cross section)	AWG 26 - 14 (0.14 mm ² - 2.5 mm ²)
Contact material	brass (CuZn)
Contact plating	silver (Ag) / gold (Au)
Mating cycles	≥ 1,000

Insulation inserts	
Number of contacts	2, 3, 4, 5
Insulation material	PTFE / POM
CTI value	600
Flammability class PTFE	UL94 V-0
Flammability class POM	UL94 HB
Operating temperature PTFE	-50 °C to +200 °C
Operating temperature POM	-30 °C to +120 °C
Insulating material group PTFE / POM	I (DIN IEC 60664)


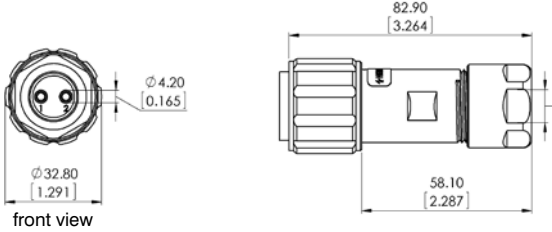
Suitable cable dimensions (single wire)


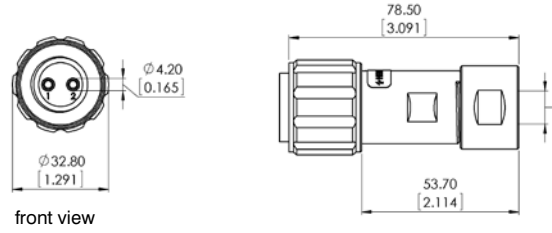



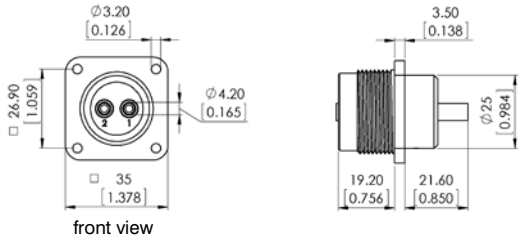
Plug, cable mount / Receptacle, panel mount / Receptacle, coupling, cable mount


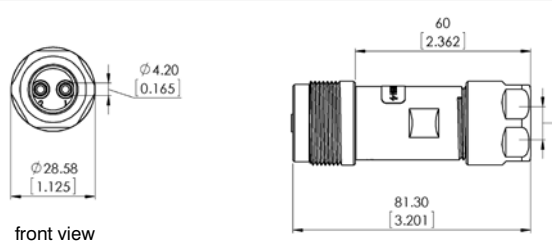
Electrical values		Characteristics	
Operating voltage (DC)	10 kV	Number of pins	2
Test voltage (DC)	15 kV	Insulation material	POM
Rated current	13 A		


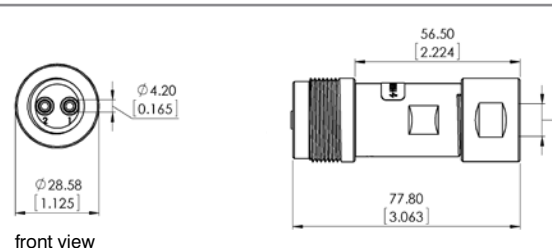
Type / Version / Part number	Picture / Drawing
------------------------------	-------------------

<p>KS-MC207</p> <p>Plug, cable mount with integrated cable gland</p> <table border="1" style="font-size: 8px; width: 100%;"> <thead> <tr> <th>Part no.</th> <th>Clamping range</th> </tr> </thead> <tbody> <tr> <td>5002030A</td> <td>6.5 - 8 mm [.256" - .315"]</td> </tr> <tr> <td>5002030B</td> <td>8 - 9.5 mm [.315" - .374"]</td> </tr> <tr> <td>5002030C</td> <td>9.5 - 11 mm [.374" - .433"]</td> </tr> <tr> <td>5002030D</td> <td>11 - 12.5 mm [.433" - .492"]</td> </tr> <tr> <td>5002030E</td> <td>12.5 - 14 mm [.492" - .551"]</td> </tr> </tbody> </table>	Part no.	Clamping range	5002030A	6.5 - 8 mm [.256" - .315"]	5002030B	8 - 9.5 mm [.315" - .374"]	5002030C	9.5 - 11 mm [.374" - .433"]	5002030D	11 - 12.5 mm [.433" - .492"]	5002030E	12.5 - 14 mm [.492" - .551"]	  <p style="text-align: center;">front view</p>
Part no.	Clamping range												
5002030A	6.5 - 8 mm [.256" - .315"]												
5002030B	8 - 9.5 mm [.315" - .374"]												
5002030C	9.5 - 11 mm [.374" - .433"]												
5002030D	11 - 12.5 mm [.433" - .492"]												
5002030E	12.5 - 14 mm [.492" - .551"]												

<p>KS-MC207</p> <p>Plug, cable mount with adapter M20/M25 for external cable gland</p> <table border="1" style="font-size: 8px; width: 100%;"> <thead> <tr> <th>Part no.</th> <th>Connecting thread</th> </tr> </thead> <tbody> <tr> <td>5002030M</td> <td>M20 x 1.5</td> </tr> <tr> <td>5002030N</td> <td>M25 x 1.5</td> </tr> </tbody> </table>	Part no.	Connecting thread	5002030M	M20 x 1.5	5002030N	M25 x 1.5	  <p style="text-align: center;">front view</p>
Part no.	Connecting thread						
5002030M	M20 x 1.5						
5002030N	M25 x 1.5						


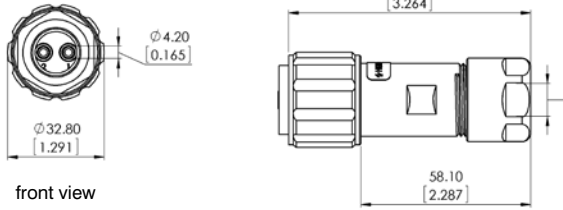

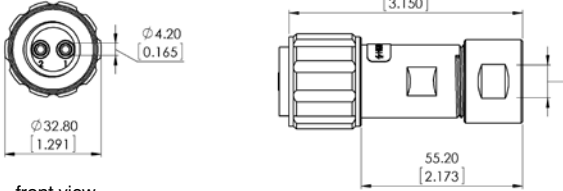

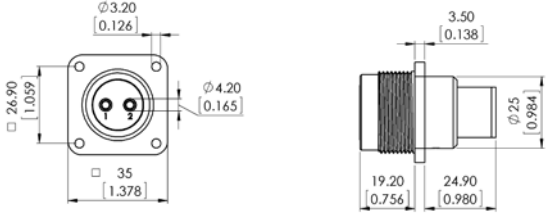
<p>GB-MC207</p> <p>Receptacle, panel mount</p> <p>Part no. 5002010R</p>	  <p style="text-align: center;">front view</p>
--	--

<p>KBI-MC207</p> <p>Receptacle, coupling, cable mount with integrated cable gland</p> <table border="1" style="font-size: 8px; width: 100%;"> <thead> <tr> <th>Part no.</th> <th>Clamping range</th> </tr> </thead> <tbody> <tr> <td>5002041A</td> <td>6.5 - 8 mm [.256" - .315"]</td> </tr> <tr> <td>5002041B</td> <td>8 - 9.5 mm [.315" - .374"]</td> </tr> <tr> <td>5002041C</td> <td>9.5 - 11 mm [.374" - .433"]</td> </tr> <tr> <td>5002041D</td> <td>11 - 12.5 mm [.433" - .492"]</td> </tr> <tr> <td>5002041E</td> <td>12.5 - 14 mm [.492" - .551"]</td> </tr> </tbody> </table>	Part no.	Clamping range	5002041A	6.5 - 8 mm [.256" - .315"]	5002041B	8 - 9.5 mm [.315" - .374"]	5002041C	9.5 - 11 mm [.374" - .433"]	5002041D	11 - 12.5 mm [.433" - .492"]	5002041E	12.5 - 14 mm [.492" - .551"]	  <p style="text-align: center;">front view</p>
Part no.	Clamping range												
5002041A	6.5 - 8 mm [.256" - .315"]												
5002041B	8 - 9.5 mm [.315" - .374"]												
5002041C	9.5 - 11 mm [.374" - .433"]												
5002041D	11 - 12.5 mm [.433" - .492"]												
5002041E	12.5 - 14 mm [.492" - .551"]												

<p>KBI-MC207</p> <p>Receptacle, coupling, cable mount with adapter M20/M25 for external cable gland</p> <table border="1" style="font-size: 8px; width: 100%;"> <thead> <tr> <th>Part no.</th> <th>Connecting thread</th> </tr> </thead> <tbody> <tr> <td>5002041M</td> <td>M20 x 1.5</td> </tr> <tr> <td>5002041N</td> <td>M25 x 1.5</td> </tr> </tbody> </table>	Part no.	Connecting thread	5002041M	M20 x 1.5	5002041N	M25 x 1.5	  <p style="text-align: center;">front view</p>
Part no.	Connecting thread						
5002041M	M20 x 1.5						
5002041N	M25 x 1.5						

➔ *Contacts, cable glands and accessories on pages 96-98*
Mounting instructions on pages 99-110

drawing - dimensions in mm [inch]

Type / Version / Part number	Picture / Drawing													
<p>KB-MC207</p> <p>Receptacle, cable mount with integrated cable gland</p> <table border="1"> <thead> <tr> <th>Part no.</th> <th>Clamping range</th> </tr> </thead> <tbody> <tr> <td>5002040A</td> <td>6.5 - 8 mm [.256" - .315"]</td> </tr> <tr> <td>5002040B</td> <td>8 - 9.5 mm [.315" - .374"]</td> </tr> <tr> <td>5002040C</td> <td>9.5 - 11 mm [.374" - .433"]</td> </tr> <tr> <td>5002040D</td> <td>11 - 12.5 mm [.433" - .492"]</td> </tr> <tr> <td>5002040E</td> <td>12.5 - 14 mm [.492" - .551"]</td> </tr> </tbody> </table>	Part no.	Clamping range	5002040A	6.5 - 8 mm [.256" - .315"]	5002040B	8 - 9.5 mm [.315" - .374"]	5002040C	9.5 - 11 mm [.374" - .433"]	5002040D	11 - 12.5 mm [.433" - .492"]	5002040E	12.5 - 14 mm [.492" - .551"]		 <p>front view</p>
Part no.	Clamping range													
5002040A	6.5 - 8 mm [.256" - .315"]													
5002040B	8 - 9.5 mm [.315" - .374"]													
5002040C	9.5 - 11 mm [.374" - .433"]													
5002040D	11 - 12.5 mm [.433" - .492"]													
5002040E	12.5 - 14 mm [.492" - .551"]													
<p>KB-MC207</p> <p>Receptacle, cable mount with adapter M20/M25 for external cable gland</p> <table border="1"> <thead> <tr> <th>Part no.</th> <th>Connecting thread</th> </tr> </thead> <tbody> <tr> <td>5002040M</td> <td>M20 x 1.5</td> </tr> <tr> <td>5002040N</td> <td>M25 x 1.5</td> </tr> </tbody> </table>	Part no.	Connecting thread	5002040M	M20 x 1.5	5002040N	M25 x 1.5		 <p>front view</p>						
Part no.	Connecting thread													
5002040M	M20 x 1.5													
5002040N	M25 x 1.5													
<p>GS-MC207</p> <p>Plug, panel mount</p> <p>Part no. 5002020R</p>		 <p>front view</p>												

→ *Contacts, cable glands and accessories on pages 96-98*
Mounting instructions on pages 99-110

drawing - dimensions in mm [inch]

Plug, cable mount / Receptacle, panel mount / Receptacle, coupling, cable mount

Electrical values	
Operating voltage (DC)	10 kV
Test voltage (DC)	15 kV
Rated current	13 A

Characteristics	
Number of pins	3
Insulation material	POM

Type / Version / Part number	Picture / Drawing
------------------------------	-------------------

KS-MC307 Plug, cable mount with integrated cable gland <table border="1" style="font-size: 0.8em; width: 100%;"> <thead> <tr> <th>Part no.</th> <th>Clamping range</th> </tr> </thead> <tbody> <tr> <td>5003030A</td> <td>6.5 - 8 mm [.256" - .315"]</td> </tr> <tr> <td>5003030B</td> <td>8 - 9.5 mm [.315" - .374"]</td> </tr> <tr> <td>5003030C</td> <td>9.5 - 11 mm [.374" - .433"]</td> </tr> <tr> <td>5003030D</td> <td>11 - 12.5 mm [.433" - .492"]</td> </tr> <tr> <td>5003030E</td> <td>12.5 - 14 mm [.492" - .551"]</td> </tr> </tbody> </table>	Part no.	Clamping range	5003030A	6.5 - 8 mm [.256" - .315"]	5003030B	8 - 9.5 mm [.315" - .374"]	5003030C	9.5 - 11 mm [.374" - .433"]	5003030D	11 - 12.5 mm [.433" - .492"]	5003030E	12.5 - 14 mm [.492" - .551"]	<p>front view</p>
Part no.	Clamping range												
5003030A	6.5 - 8 mm [.256" - .315"]												
5003030B	8 - 9.5 mm [.315" - .374"]												
5003030C	9.5 - 11 mm [.374" - .433"]												
5003030D	11 - 12.5 mm [.433" - .492"]												
5003030E	12.5 - 14 mm [.492" - .551"]												

KS-MC307 Plug, cable mount with adapter M20/M25 for external cable gland <table border="1" style="font-size: 0.8em; width: 100%;"> <thead> <tr> <th>Part no.</th> <th>Connecting thread</th> </tr> </thead> <tbody> <tr> <td>5003030M</td> <td>M20 x 1.5</td> </tr> <tr> <td>5003030N</td> <td>M25 x 1.5</td> </tr> </tbody> </table>	Part no.	Connecting thread	5003030M	M20 x 1.5	5003030N	M25 x 1.5	<p>front view</p>
Part no.	Connecting thread						
5003030M	M20 x 1.5						
5003030N	M25 x 1.5						


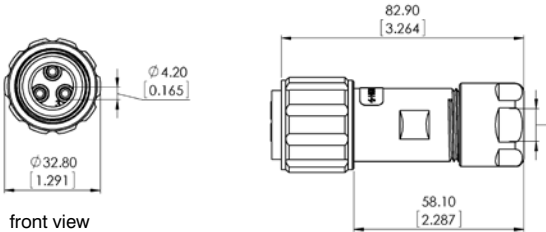

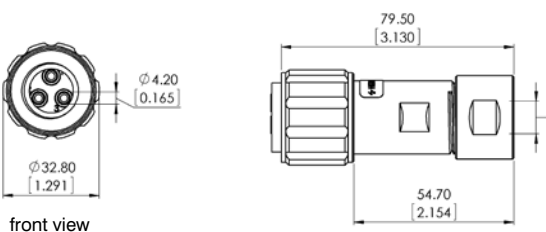

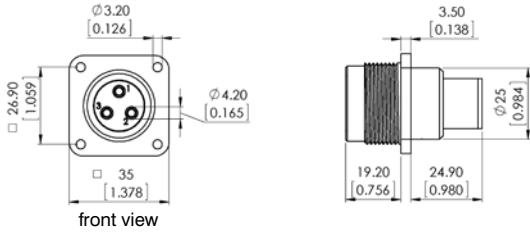
GB-MC307 Receptacle, panel mount Part no. 5003010R	<p>front view</p>
---	-------------------

KBI-MC307 Receptacle, coupling, cable mount with integrated cable gland <table border="1" style="font-size: 0.8em; width: 100%;"> <thead> <tr> <th>Part no.</th> <th>Clamping range</th> </tr> </thead> <tbody> <tr> <td>5003041A</td> <td>6.5 - 8 mm [.256" - .315"]</td> </tr> <tr> <td>5003041B</td> <td>8 - 9.5 mm [.315" - .374"]</td> </tr> <tr> <td>5003041C</td> <td>9.5 - 11 mm [.374" - .433"]</td> </tr> <tr> <td>5003041D</td> <td>11 - 12.5 mm [.433" - .492"]</td> </tr> <tr> <td>5003041E</td> <td>12.5 - 14 mm [.492" - .551"]</td> </tr> </tbody> </table>	Part no.	Clamping range	5003041A	6.5 - 8 mm [.256" - .315"]	5003041B	8 - 9.5 mm [.315" - .374"]	5003041C	9.5 - 11 mm [.374" - .433"]	5003041D	11 - 12.5 mm [.433" - .492"]	5003041E	12.5 - 14 mm [.492" - .551"]	<p>front view</p>
Part no.	Clamping range												
5003041A	6.5 - 8 mm [.256" - .315"]												
5003041B	8 - 9.5 mm [.315" - .374"]												
5003041C	9.5 - 11 mm [.374" - .433"]												
5003041D	11 - 12.5 mm [.433" - .492"]												
5003041E	12.5 - 14 mm [.492" - .551"]												

KBI-MC307 Receptacle, coupling, cable mount with adapter M20/M25 for external cable gland <table border="1" style="font-size: 0.8em; width: 100%;"> <thead> <tr> <th>Part no.</th> <th>Connecting thread</th> </tr> </thead> <tbody> <tr> <td>5003041M</td> <td>M20 x 1.5</td> </tr> <tr> <td>5003041N</td> <td>M25 x 1.5</td> </tr> </tbody> </table>	Part no.	Connecting thread	5003041M	M20 x 1.5	5003041N	M25 x 1.5	<p>front view</p>
Part no.	Connecting thread						
5003041M	M20 x 1.5						
5003041N	M25 x 1.5						

➔ *Contacts, cable glands and accessories on pages 96-98*
Mounting instructions on pages 99-110

drawing - dimensions in mm [inch]

Type / Version / Part number	Picture / Drawing													
<p>KB-MC307</p> <p>Receptacle, cable mount with integrated cable gland</p> <table border="1"> <thead> <tr> <th>Part no.</th> <th>Clamping range</th> </tr> </thead> <tbody> <tr> <td>5003040A</td> <td>6.5 - 8 mm [.256" - .315"]</td> </tr> <tr> <td>5003040B</td> <td>8 - 9.5 mm [.315" - .374"]</td> </tr> <tr> <td>5003040C</td> <td>9.5 - 11 mm [.374" - .433"]</td> </tr> <tr> <td>5003040D</td> <td>11 - 12.5 mm [.433" - .492"]</td> </tr> <tr> <td>5003040E</td> <td>12.5 - 14 mm [.492" - .551"]</td> </tr> </tbody> </table>	Part no.	Clamping range	5003040A	6.5 - 8 mm [.256" - .315"]	5003040B	8 - 9.5 mm [.315" - .374"]	5003040C	9.5 - 11 mm [.374" - .433"]	5003040D	11 - 12.5 mm [.433" - .492"]	5003040E	12.5 - 14 mm [.492" - .551"]		 <p>front view</p>
Part no.	Clamping range													
5003040A	6.5 - 8 mm [.256" - .315"]													
5003040B	8 - 9.5 mm [.315" - .374"]													
5003040C	9.5 - 11 mm [.374" - .433"]													
5003040D	11 - 12.5 mm [.433" - .492"]													
5003040E	12.5 - 14 mm [.492" - .551"]													
<p>KB-MC307</p> <p>Receptacle, cable mount with adapter M20/M25 for external cable gland</p> <table border="1"> <thead> <tr> <th>Part no.</th> <th>Connecting thread</th> </tr> </thead> <tbody> <tr> <td>5003040M</td> <td>M20 x 1.5</td> </tr> <tr> <td>5003040N</td> <td>M25 x 1.5</td> </tr> </tbody> </table>	Part no.	Connecting thread	5003040M	M20 x 1.5	5003040N	M25 x 1.5		 <p>front view</p>						
Part no.	Connecting thread													
5003040M	M20 x 1.5													
5003040N	M25 x 1.5													
<p>GS-MC307</p> <p>Plug, panel mount</p> <p>Part no. 5003020R</p>		 <p>front view</p>												


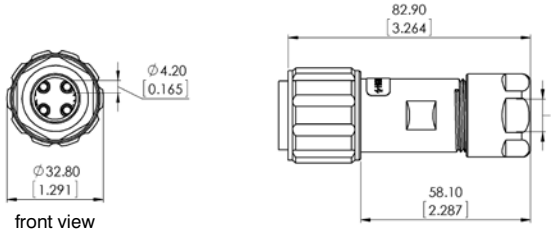
→ Contacts, cable glands and accessories on pages 96-98
 Mounting instructions on pages 99-110


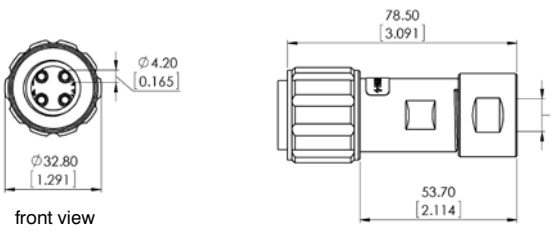
drawing - dimensions in mm [inch]


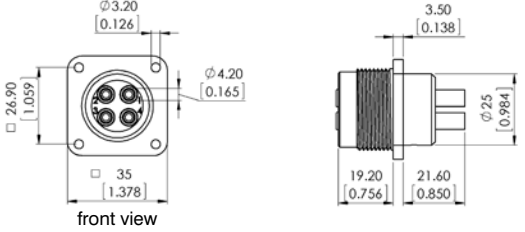
Plug, cable mount / Receptacle, panel mount / Receptacle, coupling, cable mount


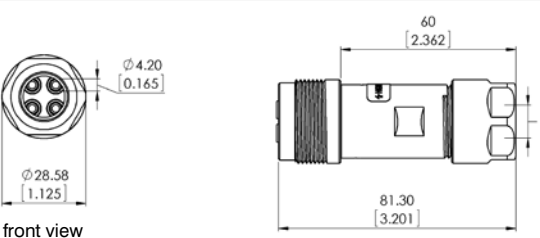
Electrical values		Characteristics	
Operating voltage (DC)	10 kV	Number of pins	4
Test voltage (DC)	15 kV	Insulation material	POM
Rated current	13 A		


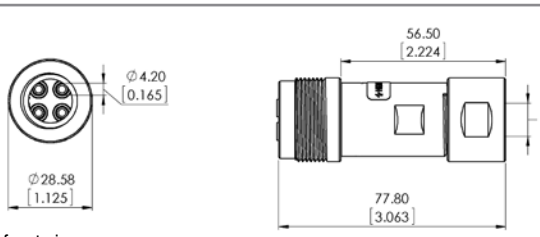
Type / Version / Part number	Picture / Drawing
------------------------------	-------------------

<p>KS-MC407</p> <p>Plug, cable mount with integrated cable gland</p> <table border="1" style="font-size: 8px; width: 100%;"> <thead> <tr> <th>Part no.</th> <th>Clamping range</th> </tr> </thead> <tbody> <tr> <td>5004030A</td> <td>6.5 - 8 mm [.256" - .315"]</td> </tr> <tr> <td>5004030B</td> <td>8 - 9.5 mm [.315" - .374"]</td> </tr> <tr> <td>5004030C</td> <td>9.5 - 11 mm [.374" - .433"]</td> </tr> <tr> <td>5004030D</td> <td>11 - 12.5 mm [.433" - .492"]</td> </tr> <tr> <td>5004030E</td> <td>12.5 - 14 mm [.492" - .551"]</td> </tr> </tbody> </table>	Part no.	Clamping range	5004030A	6.5 - 8 mm [.256" - .315"]	5004030B	8 - 9.5 mm [.315" - .374"]	5004030C	9.5 - 11 mm [.374" - .433"]	5004030D	11 - 12.5 mm [.433" - .492"]	5004030E	12.5 - 14 mm [.492" - .551"]	  <p>front view</p>
Part no.	Clamping range												
5004030A	6.5 - 8 mm [.256" - .315"]												
5004030B	8 - 9.5 mm [.315" - .374"]												
5004030C	9.5 - 11 mm [.374" - .433"]												
5004030D	11 - 12.5 mm [.433" - .492"]												
5004030E	12.5 - 14 mm [.492" - .551"]												

<p>KS-MC407</p> <p>Plug, cable mount with adapter M20/M25 for external cable gland</p> <table border="1" style="font-size: 8px; width: 100%;"> <thead> <tr> <th>Part no.</th> <th>Connecting thread</th> </tr> </thead> <tbody> <tr> <td>5004030M</td> <td>M20 x 1.5</td> </tr> <tr> <td>5004030N</td> <td>M25 x 1.5</td> </tr> </tbody> </table>	Part no.	Connecting thread	5004030M	M20 x 1.5	5004030N	M25 x 1.5	  <p>front view</p>
Part no.	Connecting thread						
5004030M	M20 x 1.5						
5004030N	M25 x 1.5						


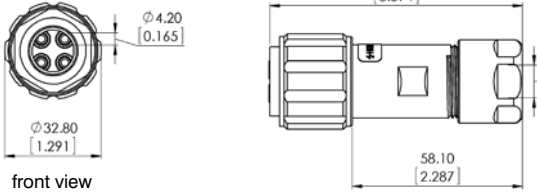

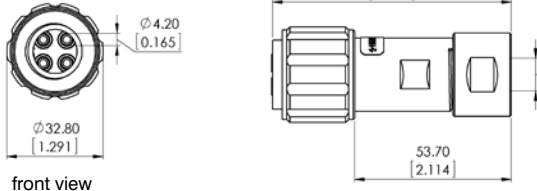

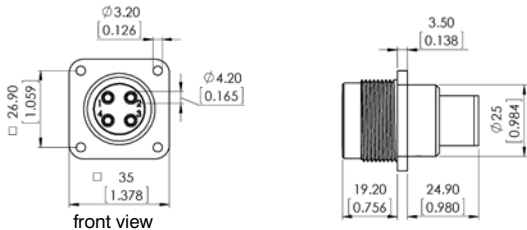
<p>GB-MC407</p> <p>Receptacle, panel mount</p> <p>Part no. 5004010R</p>	  <p>front view</p>
--	--

<p>KBI-MC407</p> <p>Receptacle, coupling, cable mount with integrated cable gland</p> <table border="1" style="font-size: 8px; width: 100%;"> <thead> <tr> <th>Part no.</th> <th>Clamping range</th> </tr> </thead> <tbody> <tr> <td>5004041A</td> <td>6.5 - 8 mm [.256" - .315"]</td> </tr> <tr> <td>5004041B</td> <td>8 - 9.5 mm [.315" - .374"]</td> </tr> <tr> <td>5004041C</td> <td>9.5 - 11 mm [.374" - .433"]</td> </tr> <tr> <td>5004041D</td> <td>11 - 12.5 mm [.433" - .492"]</td> </tr> <tr> <td>5004041E</td> <td>12.5 - 14 mm [.492" - .551"]</td> </tr> </tbody> </table>	Part no.	Clamping range	5004041A	6.5 - 8 mm [.256" - .315"]	5004041B	8 - 9.5 mm [.315" - .374"]	5004041C	9.5 - 11 mm [.374" - .433"]	5004041D	11 - 12.5 mm [.433" - .492"]	5004041E	12.5 - 14 mm [.492" - .551"]	  <p>front view</p>
Part no.	Clamping range												
5004041A	6.5 - 8 mm [.256" - .315"]												
5004041B	8 - 9.5 mm [.315" - .374"]												
5004041C	9.5 - 11 mm [.374" - .433"]												
5004041D	11 - 12.5 mm [.433" - .492"]												
5004041E	12.5 - 14 mm [.492" - .551"]												

<p>KBI-MC407</p> <p>Receptacle, coupling, cable mount with adapter M20/M25 for external cable gland</p> <table border="1" style="font-size: 8px; width: 100%;"> <thead> <tr> <th>Part no.</th> <th>Connecting thread</th> </tr> </thead> <tbody> <tr> <td>5004041M</td> <td>M20 x 1.5</td> </tr> <tr> <td>5004041N</td> <td>M25 x 1.5</td> </tr> </tbody> </table>	Part no.	Connecting thread	5004041M	M20 x 1.5	5004041N	M25 x 1.5	  <p>front view</p>
Part no.	Connecting thread						
5004041M	M20 x 1.5						
5004041N	M25 x 1.5						

➔ *Contacts, cable glands and accessories on pages 96-98*
Mounting instructions on pages 99-110

drawing - dimensions in mm [inch]

Type / Version / Part number	Picture / Drawing													
<p>KB-MC407</p> <p>Receptacle, cable mount with integrated cable gland</p> <table border="1"> <tr> <th>Part no.</th> <th>Clamping range</th> </tr> <tr> <td>5004040A</td> <td>6.5 - 8 mm [.256" - .315"]</td> </tr> <tr> <td>5004040B</td> <td>8 - 9.5 mm [.315" - .374"]</td> </tr> <tr> <td>5004040C</td> <td>9.5 - 11 mm [.374" - .433"]</td> </tr> <tr> <td>5004040D</td> <td>11 - 12.5 mm [.433" - .492"]</td> </tr> <tr> <td>5004040E</td> <td>12.5 - 14 mm [.492" - .551"]</td> </tr> </table>	Part no.	Clamping range	5004040A	6.5 - 8 mm [.256" - .315"]	5004040B	8 - 9.5 mm [.315" - .374"]	5004040C	9.5 - 11 mm [.374" - .433"]	5004040D	11 - 12.5 mm [.433" - .492"]	5004040E	12.5 - 14 mm [.492" - .551"]		 <p>front view</p>
Part no.	Clamping range													
5004040A	6.5 - 8 mm [.256" - .315"]													
5004040B	8 - 9.5 mm [.315" - .374"]													
5004040C	9.5 - 11 mm [.374" - .433"]													
5004040D	11 - 12.5 mm [.433" - .492"]													
5004040E	12.5 - 14 mm [.492" - .551"]													
<p>KB-MC407</p> <p>Receptacle, cable mount with adapter M20/M25 for external cable gland</p> <table border="1"> <tr> <th>Part no.</th> <th>Connecting thread</th> </tr> <tr> <td>5004040M</td> <td>M20 x 1.5</td> </tr> <tr> <td>5004040N</td> <td>M25 x 1.5</td> </tr> </table>	Part no.	Connecting thread	5004040M	M20 x 1.5	5004040N	M25 x 1.5		 <p>front view</p>						
Part no.	Connecting thread													
5004040M	M20 x 1.5													
5004040N	M25 x 1.5													
<p>GS-MC407</p> <p>Plug, panel mount</p> <p>Part no. 5004020R</p>		 <p>front view</p>												

→ *Contacts, cable glands and accessories on pages 96-98*
Mounting instructions on pages 99-110


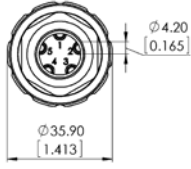
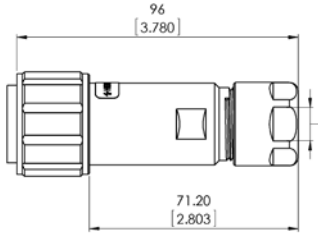
drawing - dimensions in mm [inch]


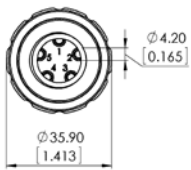
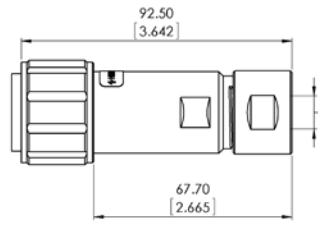
Plug, cable mount / Receptacle, panel mount / Receptacle, coupling, cable mount


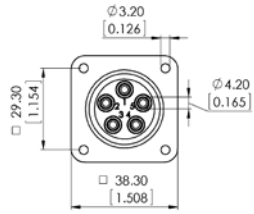
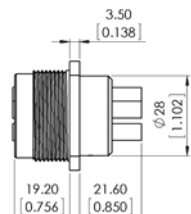
Electrical values	
Operating voltage (DC)	10 kV
Test voltage (DC)	15 kV
Rated current	13 A


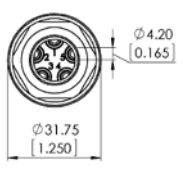
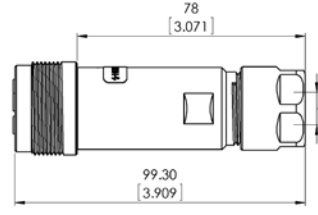
Characteristics	
Number of pins	5
Insulation material	POM


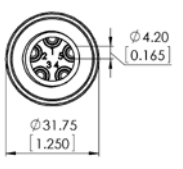
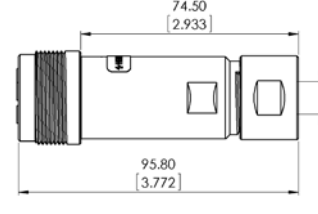
Type / Version / Part number	Picture / Drawing
------------------------------	-------------------

KS-MC507 Plug, cable mount with integrated cable gland <table border="1" style="font-size: 0.8em; width: 100%;"> <thead> <tr> <th>Part no.</th> <th>Clamping range</th> </tr> </thead> <tbody> <tr> <td>5005030A</td> <td>6.5 - 8 mm [.256" - .315"]</td> </tr> <tr> <td>5005030B</td> <td>8 - 9.5 mm [.315" - .374"]</td> </tr> <tr> <td>5005030C</td> <td>9.5 - 11 mm [.374" - .433"]</td> </tr> <tr> <td>5005030D</td> <td>11 - 12.5 mm [.433" - .492"]</td> </tr> <tr> <td>5005030E</td> <td>12.5 - 14 mm [.492" - .551"]</td> </tr> </tbody> </table>	Part no.	Clamping range	5005030A	6.5 - 8 mm [.256" - .315"]	5005030B	8 - 9.5 mm [.315" - .374"]	5005030C	9.5 - 11 mm [.374" - .433"]	5005030D	11 - 12.5 mm [.433" - .492"]	5005030E	12.5 - 14 mm [.492" - .551"]	  front view	
Part no.	Clamping range													
5005030A	6.5 - 8 mm [.256" - .315"]													
5005030B	8 - 9.5 mm [.315" - .374"]													
5005030C	9.5 - 11 mm [.374" - .433"]													
5005030D	11 - 12.5 mm [.433" - .492"]													
5005030E	12.5 - 14 mm [.492" - .551"]													

KS-MC507 Plug, cable mount with adapter M20/M25 for external cable gland <table border="1" style="font-size: 0.8em; width: 100%;"> <thead> <tr> <th>Part no.</th> <th>Connecting thread</th> </tr> </thead> <tbody> <tr> <td>5005030M</td> <td>M20 x 1.5</td> </tr> <tr> <td>5005030N</td> <td>M25 x 1.5</td> </tr> </tbody> </table>	Part no.	Connecting thread	5005030M	M20 x 1.5	5005030N	M25 x 1.5	  front view	
Part no.	Connecting thread							
5005030M	M20 x 1.5							
5005030N	M25 x 1.5							


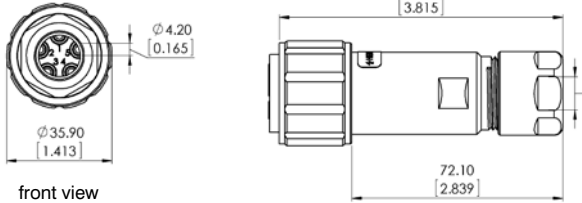

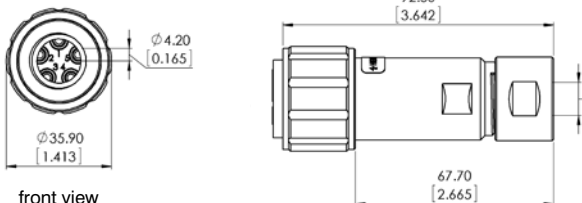

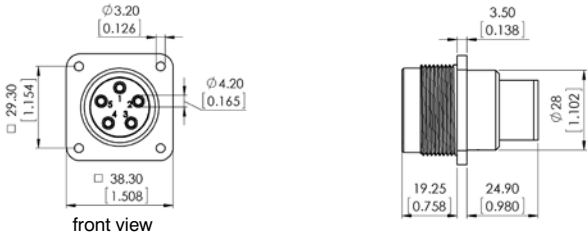
GB-MC507 Receptacle, panel mount Part no. 5005010R	  front view	
---	--	---

KBI-MC507 Receptacle, coupling, cable mount with integrated cable gland <table border="1" style="font-size: 0.8em; width: 100%;"> <thead> <tr> <th>Part no.</th> <th>Clamping range</th> </tr> </thead> <tbody> <tr> <td>5005041A</td> <td>6.5 - 8 mm [.256" - .315"]</td> </tr> <tr> <td>5005041B</td> <td>8 - 9.5 mm [.315" - .374"]</td> </tr> <tr> <td>5005041C</td> <td>9.5 - 11 mm [.374" - .433"]</td> </tr> <tr> <td>5005041D</td> <td>11 - 12.5 mm [.433" - .492"]</td> </tr> <tr> <td>5005041E</td> <td>12.5 - 14 mm [.492" - .551"]</td> </tr> </tbody> </table>	Part no.	Clamping range	5005041A	6.5 - 8 mm [.256" - .315"]	5005041B	8 - 9.5 mm [.315" - .374"]	5005041C	9.5 - 11 mm [.374" - .433"]	5005041D	11 - 12.5 mm [.433" - .492"]	5005041E	12.5 - 14 mm [.492" - .551"]	  front view	
Part no.	Clamping range													
5005041A	6.5 - 8 mm [.256" - .315"]													
5005041B	8 - 9.5 mm [.315" - .374"]													
5005041C	9.5 - 11 mm [.374" - .433"]													
5005041D	11 - 12.5 mm [.433" - .492"]													
5005041E	12.5 - 14 mm [.492" - .551"]													

KBI-MC507 Receptacle, coupling, cable mount with adapter M20/M25 for external cable gland <table border="1" style="font-size: 0.8em; width: 100%;"> <thead> <tr> <th>Part no.</th> <th>Connecting thread</th> </tr> </thead> <tbody> <tr> <td>5005041M</td> <td>M20 x 1.5</td> </tr> <tr> <td>5005041N</td> <td>M25 x 1.5</td> </tr> </tbody> </table>	Part no.	Connecting thread	5005041M	M20 x 1.5	5005041N	M25 x 1.5	  front view	
Part no.	Connecting thread							
5005041M	M20 x 1.5							
5005041N	M25 x 1.5							

➔ *Contacts, cable glands and accessories on pages 96-98*
Mounting instructions on pages 99-110

drawing - dimensions in mm [inch]

Type / Version / Part number	Picture / Drawing													
<p>KB-MC507</p> <p>Receptacle, cable mount with integrated cable gland</p> <table border="1"> <thead> <tr> <th>Part no.</th> <th>Clamping range</th> </tr> </thead> <tbody> <tr> <td>5005040A</td> <td>6.5 - 8 mm [.256" - .315"]</td> </tr> <tr> <td>5005040B</td> <td>8 - 9.5 mm [.315" - .374"]</td> </tr> <tr> <td>5005040C</td> <td>9.5 - 11 mm [.374" - .433"]</td> </tr> <tr> <td>5005040D</td> <td>11 - 12.5 mm [.433" - .492"]</td> </tr> <tr> <td>5005040E</td> <td>12.5 - 14 mm [.492" - .551"]</td> </tr> </tbody> </table>	Part no.	Clamping range	5005040A	6.5 - 8 mm [.256" - .315"]	5005040B	8 - 9.5 mm [.315" - .374"]	5005040C	9.5 - 11 mm [.374" - .433"]	5005040D	11 - 12.5 mm [.433" - .492"]	5005040E	12.5 - 14 mm [.492" - .551"]		 <p>front view</p>
Part no.	Clamping range													
5005040A	6.5 - 8 mm [.256" - .315"]													
5005040B	8 - 9.5 mm [.315" - .374"]													
5005040C	9.5 - 11 mm [.374" - .433"]													
5005040D	11 - 12.5 mm [.433" - .492"]													
5005040E	12.5 - 14 mm [.492" - .551"]													
<p>KB-MC507</p> <p>Receptacle, cable mount with adapter M20/M25 for external cable gland</p> <table border="1"> <thead> <tr> <th>Part no.</th> <th>Connecting thread</th> </tr> </thead> <tbody> <tr> <td>5005040M</td> <td>M20 x 1.5</td> </tr> <tr> <td>5005040N</td> <td>M25 x 1.5</td> </tr> </tbody> </table>	Part no.	Connecting thread	5005040M	M20 x 1.5	5005040N	M25 x 1.5		 <p>front view</p>						
Part no.	Connecting thread													
5005040M	M20 x 1.5													
5005040N	M25 x 1.5													
<p>GS-MC507</p> <p>Plug, panel mount</p> <p>Part no. 5005020R</p>		 <p>front view</p>												


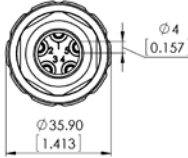
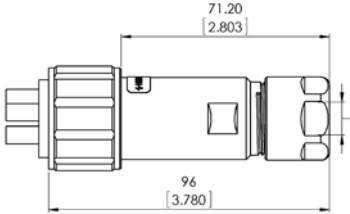
→ *Contacts, cable glands and accessories on pages 96-98*
Mounting instructions on pages 99-110


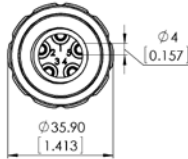
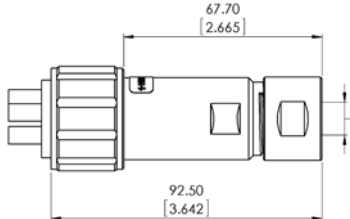
drawing - dimensions in mm [inch]


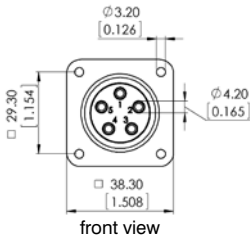
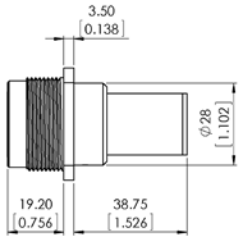
Plug, cable mount / Receptacle, panel mount / Receptacle, coupling, cable mount


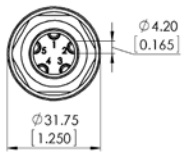
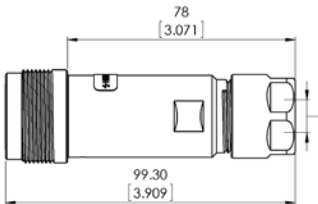
Electrical values		Characteristics	
Operating voltage (DC)	15 kV	Number of pins	5
Test voltage (DC)	23 kV	Insulation material	PTFE
Rated current	13 A		


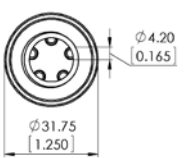
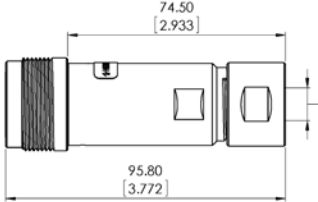
Type / Version / Part number	Picture / Drawing
------------------------------	-------------------

KS-MC520 Plug, cable mount with integrated cable gland <table border="1" style="font-size: 8px; width: 100%;"> <thead> <tr> <th>Part no.</th> <th>Clamping range</th> </tr> </thead> <tbody> <tr> <td>5005135A</td> <td>6.5 - 8 mm [.256" - .315"]</td> </tr> <tr> <td>5005135B</td> <td>8 - 9.5 mm [.315" - .374"]</td> </tr> <tr> <td>5005135C</td> <td>9.5 - 11 mm [.374" - .433"]</td> </tr> <tr> <td>5005135D</td> <td>11 - 12.5 mm [.433" - .492"]</td> </tr> <tr> <td>5005135E</td> <td>12.5 - 14 mm [.492" - .551"]</td> </tr> </tbody> </table>	Part no.	Clamping range	5005135A	6.5 - 8 mm [.256" - .315"]	5005135B	8 - 9.5 mm [.315" - .374"]	5005135C	9.5 - 11 mm [.374" - .433"]	5005135D	11 - 12.5 mm [.433" - .492"]	5005135E	12.5 - 14 mm [.492" - .551"]	  front view 
Part no.	Clamping range												
5005135A	6.5 - 8 mm [.256" - .315"]												
5005135B	8 - 9.5 mm [.315" - .374"]												
5005135C	9.5 - 11 mm [.374" - .433"]												
5005135D	11 - 12.5 mm [.433" - .492"]												
5005135E	12.5 - 14 mm [.492" - .551"]												

KS-MC520 Plug, cable mount with adapter M20/M25 for external cable gland <table border="1" style="font-size: 8px; width: 100%;"> <thead> <tr> <th>Part no.</th> <th>Connecting thread</th> </tr> </thead> <tbody> <tr> <td>5005135M</td> <td>M20 x 1.5</td> </tr> <tr> <td>5005135N</td> <td>M25 x 1.5</td> </tr> </tbody> </table>	Part no.	Connecting thread	5005135M	M20 x 1.5	5005135N	M25 x 1.5	  front view 
Part no.	Connecting thread						
5005135M	M20 x 1.5						
5005135N	M25 x 1.5						


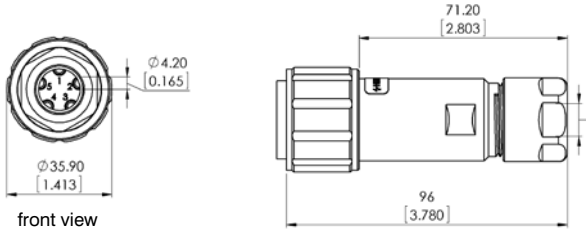

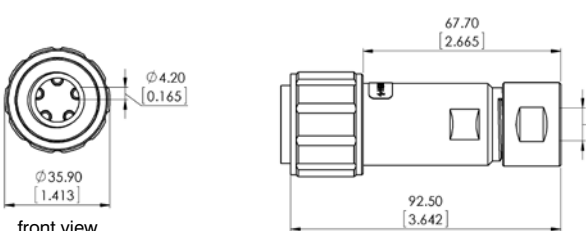

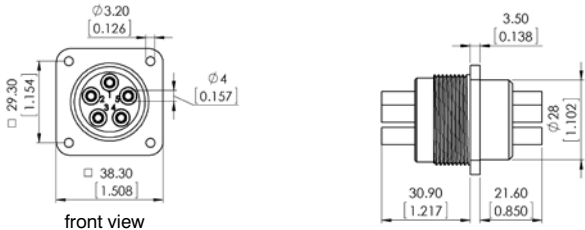
GB-MC520 Receptacle, panel mount Part no. 5005115R	  front view 
---	---

KBI-MC520 Receptacle, coupling, cable mount with integrated cable gland <table border="1" style="font-size: 8px; width: 100%;"> <thead> <tr> <th>Part no.</th> <th>Clamping range</th> </tr> </thead> <tbody> <tr> <td>5005141A</td> <td>6.5 - 8 mm [.256" - .315"]</td> </tr> <tr> <td>5005141B</td> <td>8 - 9.5 mm [.315" - .374"]</td> </tr> <tr> <td>5005141C</td> <td>9.5 - 11 mm [.374" - .433"]</td> </tr> <tr> <td>5005141D</td> <td>11 - 12.5 mm [.433" - .492"]</td> </tr> <tr> <td>5005141E</td> <td>12.5 - 14 mm [.492" - .551"]</td> </tr> </tbody> </table>	Part no.	Clamping range	5005141A	6.5 - 8 mm [.256" - .315"]	5005141B	8 - 9.5 mm [.315" - .374"]	5005141C	9.5 - 11 mm [.374" - .433"]	5005141D	11 - 12.5 mm [.433" - .492"]	5005141E	12.5 - 14 mm [.492" - .551"]	  front view 
Part no.	Clamping range												
5005141A	6.5 - 8 mm [.256" - .315"]												
5005141B	8 - 9.5 mm [.315" - .374"]												
5005141C	9.5 - 11 mm [.374" - .433"]												
5005141D	11 - 12.5 mm [.433" - .492"]												
5005141E	12.5 - 14 mm [.492" - .551"]												

KBI-MC520 Receptacle, coupling, cable mount with adapter M20/M25 for external cable gland <table border="1" style="font-size: 8px; width: 100%;"> <thead> <tr> <th>Part no.</th> <th>Connecting thread</th> </tr> </thead> <tbody> <tr> <td>5005141M</td> <td>M20 x 1.5</td> </tr> <tr> <td>5005141N</td> <td>M25 x 1.5</td> </tr> </tbody> </table>	Part no.	Connecting thread	5005141M	M20 x 1.5	5005141N	M25 x 1.5	  front view 
Part no.	Connecting thread						
5005141M	M20 x 1.5						
5005141N	M25 x 1.5						

→ *Contacts, cable glands and accessories on pages 96-98*
Mounting instructions on pages 99-110

drawing - dimensions in mm [inch]

Type / Version / Part number	Picture / Drawing													
<p>KB-MC520</p> <p>Receptacle, cable mount with integrated cable gland</p> <table border="1"> <tr> <th>Part no.</th> <th>Clamping range</th> </tr> <tr> <td>5005145A</td> <td>6.5 - 8 mm [.256" - .315"]</td> </tr> <tr> <td>5005145B</td> <td>8 - 9.5 mm [.315" - .374"]</td> </tr> <tr> <td>5005145C</td> <td>9.5 - 11 mm [.374" - .433"]</td> </tr> <tr> <td>5005145D</td> <td>11 - 12.5 mm [.433" - .492"]</td> </tr> <tr> <td>5005145E</td> <td>12.5 - 14 mm [.492" - .551"]</td> </tr> </table>	Part no.	Clamping range	5005145A	6.5 - 8 mm [.256" - .315"]	5005145B	8 - 9.5 mm [.315" - .374"]	5005145C	9.5 - 11 mm [.374" - .433"]	5005145D	11 - 12.5 mm [.433" - .492"]	5005145E	12.5 - 14 mm [.492" - .551"]		 <p>front view</p>
Part no.	Clamping range													
5005145A	6.5 - 8 mm [.256" - .315"]													
5005145B	8 - 9.5 mm [.315" - .374"]													
5005145C	9.5 - 11 mm [.374" - .433"]													
5005145D	11 - 12.5 mm [.433" - .492"]													
5005145E	12.5 - 14 mm [.492" - .551"]													
<p>KB-MC520</p> <p>Receptacle, cable mount with adapter M20/M25 for external cable gland</p> <table border="1"> <tr> <th>Part no.</th> <th>Connecting thread</th> </tr> <tr> <td>5005145M</td> <td>M20 x 1.5</td> </tr> <tr> <td>5005145N</td> <td>M25 x 1.5</td> </tr> </table>	Part no.	Connecting thread	5005145M	M20 x 1.5	5005145N	M25 x 1.5		 <p>front view</p>						
Part no.	Connecting thread													
5005145M	M20 x 1.5													
5005145N	M25 x 1.5													
<p>GS-MC520</p> <p>Plug, panel mount</p> <p>Part no. 5005125R</p>		 <p>front view</p>												

→ *Contacts, cable glands and accessories on pages 96-98*
Mounting instructions on pages 99-110

drawing - dimensions in mm [inch]

Male contacts 1.6 mm

Part no.	Description	Cross section in mm ² (D)	AWG	Silver plated	Gold plated	Drawing
6575085	male contact 1.6 mm / AWG 26 - 22	0.14 - 0.37	26 - 22	•		
6575086	male contact 1.6 mm / AWG 20	0.5	20	•		
6575088	male contact 1.6 mm / AWG 20 - 16	0.75 - 1.0	20 - 16	•		
6575090	male contact 1.6 mm / AWG 16 - 15	1.5	16 - 15	•		
6575083	male contact 1.6 mm / AWG 14	2.5	14	•		
6575118	male contact AU 1.6 mm / AWG 26 - 22	0.14 - 0.37	26 - 22		•	
6575121	male contact AU 1.6 mm / AWG 20	0.5	20		•	
6575116	male contact AU 1.6 mm / AWG 20 - 16	0.75 - 1.0	20 - 16		•	
6575124	male contact AU 1.6 mm / AWG 16 - 15	1.5	16 - 15		•	
6575125	male contact AU 1.6 mm / AWG 14	2.5	14		•	

drawing - dimensions in mm [inch]

Male contact 1.6 mm interlock for safety interlock circle

Part no.	Description	Cross section in mm ² (D)	AWG	Silver plated	Gold plated	Drawing
6575079	male contact interlock 1.6 mm / AWG 14 <i>Short version for safety interlock circle</i>	2.5	14	•		

drawing - dimensions in mm [inch]

Female contacts 1.6 mm

Part no.	Description	Cross section in mm ² (D)	AWG	Silver plated	Gold plated	Drawing
6575095	female contact 1.6 mm / AWG 26 - 22	0.14 - 0.37	26 - 22	•		
6575107	female contact 1.6 mm / AWG 20	0.5	20	•		
6575098	female contact 1.6 mm / AWG 20 - 16	0.75 - 1.0	20 - 16	•		
6575100	female contact 1.6 mm / AWG 16 - 15	1.5	16 - 15	•		
6575084	female contact 1.6 mm / AWG 14	2.5	14	•		
6575127	female contact AU 1.6 mm / AWG 26 - 22	0.14 - 0.37	26 - 22		•	
6575131	female contact AU 1.6 mm / AWG 20	0.5	20		•	
6575117	female contact AU 1.6 mm / AWG 20 - 16	0.75 - 1.0	20 - 16		•	
6575132	female contact AU 1.6 mm / AWG 16 - 15	1.5	16 - 15		•	
6575133	female contact AU 1.6 mm / AWG 14	2.5	14		•	

drawing - dimensions in mm [inch]

For adapter versions: Screwed cable glands M20 / M25

Part no.	Description	Clamping range in mm (D)	Drawing
1674058	screwed cable gland M20x1.5, 5-10 mm	5 - 10	
1674110	screwed cable gland M20x1.5, 10-14 mm	10 - 14	
1674111	screwed cable gland M20x1.5, 7-12 mm	7 - 12	
1674082	screwed cable gland M32 x 1.5, 13-20 mm	13-20	
1674078	screwed cable gland M32 x 1.5, 18-25 mm	18-25	

drawing - dimensions in mm [inch]

Gaskets

Part no.	Description	Drawing
6572081	Flat gasket for types GS/GB 207 - 407 (Size 18)	
6572054	Flat gasket for types GS/GB 507/520 (Size 20)	

drawing - dimensions in mm [inch]

Coverings with thread

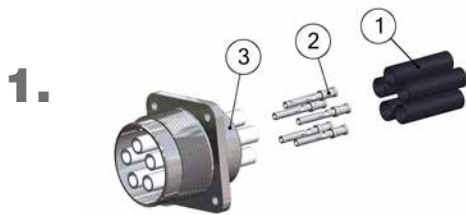
P/N	Description	Mechanical drawing
1672070	Covering for types KS/KB 507	<p>chain length min. 120 mm</p>
1672071	Covering for types GS/GB/KBI 507	<p>chain length min. 120 mm</p>
1672072	Covering for types KS/KB 207 - 407	<p>chain length min. 120 mm</p>
1672073	Covering for types GS/GB/KBI 207 - 407	<p>chain length min. 120 mm</p>

drawing - dimensions in mm [inch]

Tools

Part No.	Description	Connector types
3000001	Extracting tool for contacts 1.6 mm - male and female	MC 207 - 507
3000015	Crimping tool for contacts 1.6 mm - male and female incl. pliers, contact holder and crimping cheeks	MC 207 - 507, MC 520
3000050	Screwdriver for threaded pin size M3	MC 207 - 507, MC 520

Assembly Instructions Series MC - type 207-507 receptacle, panel mount

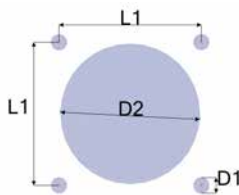


1.

Part as supplied

Shrinking tubes (1), female contacts (2), connector housing (3)

2.



Panel cut out

Type	L1 mm [inch]	D1 mm [inch]	D2 mm [inch]
GB 207 / 307 / 407	26.90 [1.059"]	3.00 [.118"]	26.00 [1.024"]
GB 507	29.30 [1.154"]	3.00 [.118"]	29.00 [1.142"]

3.



Carefully remove cable jacket.

Type	L2 mm [inch]
GB 207 / 307 / 407 / 507	min. 45 [1.772"]

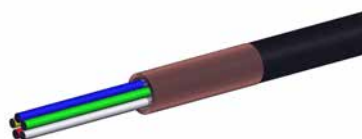
⚠ Do not damage metal shield braid

4.



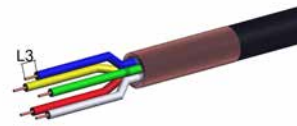
Fold back shield braid.

5.



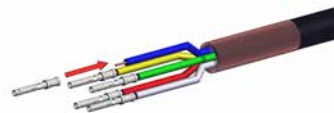
Remove any filling elements from cable.

6.



Remove dielectric insulation of single wires (L3 = 5 - 8 mm [.197" - .315"]).

7.



Crimp or solder one female contact (2) on each conductor.

⚠ For soldering: Tin-solder must not remain on contact surface!

8.



Put shrinking tubes (1) on insulation tubes on rear side of connector housing (3).

9.



Slide contacts (2) completely into insulation tubes until contacts snap into place.

🗨 Pull gently to check that contacts are correctly located and remain in position.

10.



Shrink tubes - shrinking temperature 110° C.

11.



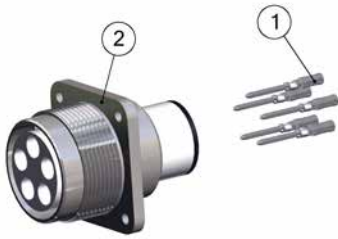
Assembly finished.

Assembly Instructions

Series MC - type 207-507

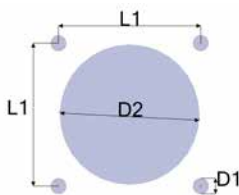
plug, panel mount

1.



Part as supplied.
Male contacts (1), connector housing (2)

2.



Panel cut out

Type	L1 mm [inch]	D1 mm [inch]	D2 mm [inch]
GS 207 / 307 / 407	26.90 [1.059"]	3.00 [.118"]	26.00 [1.024"]
GS 507	29.30 [1.154"]	3.00 [.118"]	29.00 [1.142"]

3.



Carefully remove cable jacket.

Type	L2 mm [inch]
GS 207 / 307 / 407 / 507	min. 45 [1.772"]

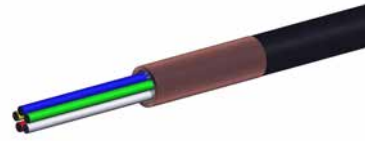
⚠ Do not damage metal shield braid

4.



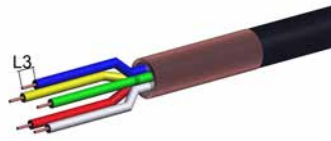
Fold back shield braid.

5.



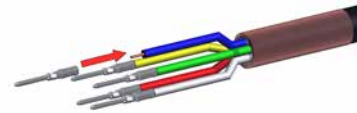
Remove any filling elements from cable.

6.



Remove dielectric insulation of single wires (L3 = 5 - 8 mm [.197" - .315"]).

7.



Crimp or solder one male contact (1) on each conductor.

⚠ For soldering: Tin-solder must not remain on contact surface!

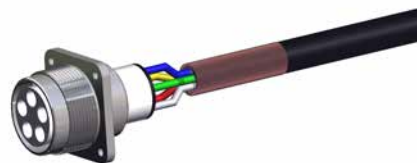
8.



Slide contacts (1) completely into connector shell (2) until contacts snap into place.

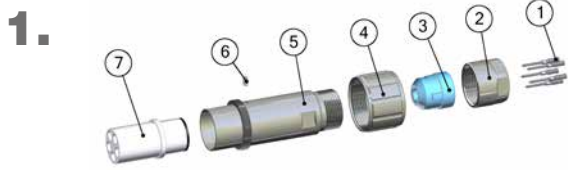
🗨 Pull gently to check that contacts are correctly located and remain in position.

9.



Assembly finished.

Assembly Instructions Series MC - type 207-507 plug, cable mount



Part as supplied

Male contacts (1), cap (2), sealing insert (3), screw joint (4), basis (5), threaded pin (6), insulation insert (7).



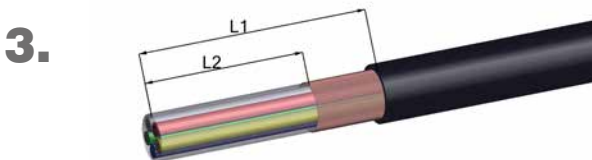
Fix shield braid with tape.



Place cap (2), sealing insert (3), screw joint (4) and basis (5) onto cable.



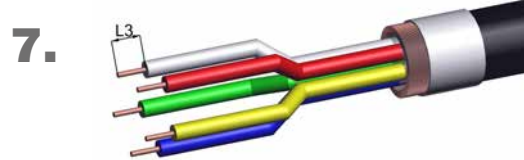
Remove any filling elements from cable.



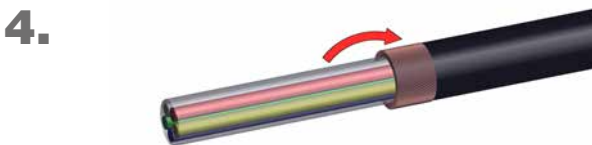
Remove cable jacket.

Type	L1 mm [inch]	L2 mm [inch]
KS 207 / 307 / 407 / 507	50 [1.968"]	35 [1.377"]

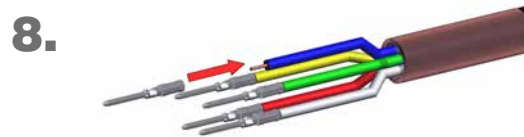
⚠ Do not damage metal shield braid



Remove dielectric insulation (L3 = 5-8 mm [.197" - .315"]).



Fold back shield braid over jacket.




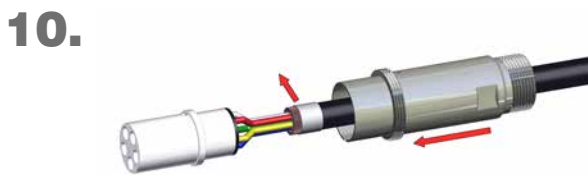
Crimp or solder female contacts (1) on conductor.

⚠ For soldering: Tin-solder must not remain on contact surface.

Assembly Instructions Series MC - type 207-507 plug, cable mount



Slide contacts completely into insulation insert (7) until contacts snap into place.
 Pull gently to check that contacts are correctly located and remain in position.



Remove tape and place basis (5) onto insulation insert (7)



Secure insulation insert (7) with threaded pin (6), then screw joint (4) onto basis (5).



Widen shield braid.



Insert sealing (3) completely and screw cap (2) onto basis (5).

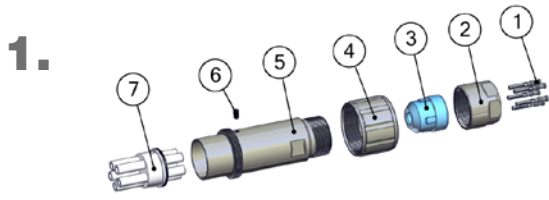
Cable gland type	SW 1	SW 2
KS 207 / 307 / 407	23	26
KS 507	26	26

Tightening torque is 7 Nm



Assembly finished.

Assembly Instructions Series MC - type 207-507 receptacle cable mount & coupling



Part as supplied.

Female contacts (1), cap (2), sealing insert (3), screw joint (4), basis (5), threaded pin (6), insulation insert (7).



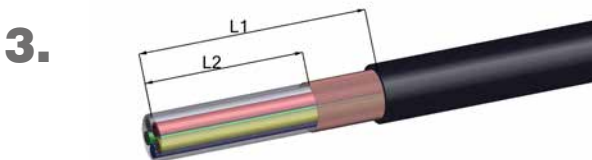
Fix shield braid with tape.



Place cap (2), sealing insert (3), screw joint (4) and basis (5) onto cable



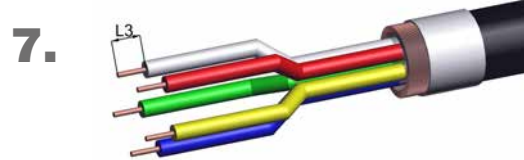
Remove any filling elements from cable.



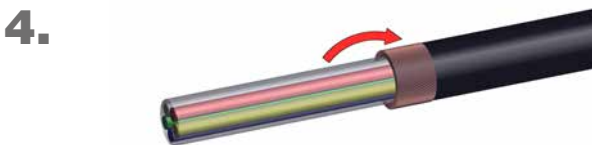
Remove cable jacket.

Type	L1 mm [inch]	L2 mm [inch]
KS 207 / 307 / 407 / 507	50 [1.968"]	35 [1.377"]

⚠ Do not damage metal shield braid.



Remove dielectric insulation (L3 = 5-8 mm [.197" - .315"]).



Fold back shield braid over jacket.



Crimp or solder female contacts (1) on conductor.

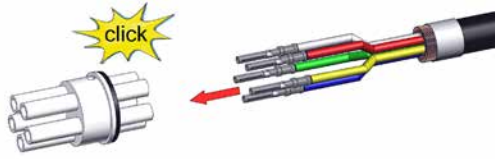
⚠ For soldering: Tin-solder must not remain on contact surface.

Assembly Instructions


Series MC - type 207-507

receptacle cable mount & coupling

9.



Slide female contacts completely into insulation insert until contacts snap into place.

 Pull gently to check that contacts are correctly located and remain in position.

10.



Remove tape and place basis (5) onto insulation insert (7)

11.



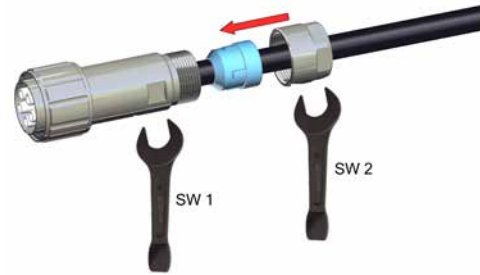
Secure insulation insert (7) with threaded pin (6), then screw joint (4) onto basis (5).

12.



Widen shield braid.

13.



Insert sealing (3) completely and screw cap (2) onto basis (5).

Cable gland type	SW 1	SW 2
KB 207 / 307 / 407	23	26
KB 507	26	26

Tightening torque is 7 Nm

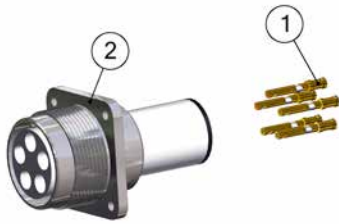
14.



Assembly finished.

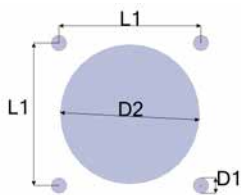
Assembly Instructions Series MC - type 520 receptacle, panel mount

1.



Part as supplied.
Female contacts (1), connector housing (2)

2.



Panel cut out

Type	L1 mm [inch]	D1 mm [inch]	D2 mm [inch]
GB 520	29.30 [1.154"]	3.00 [.118"]	28.70 [1.142"]

3.

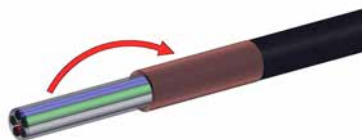


Carefully remove cable jacket.

Type	L2 mm [inch]
GB 520	min. 60 [2.362"]

⚠ Do not damage metal shield braid

4.



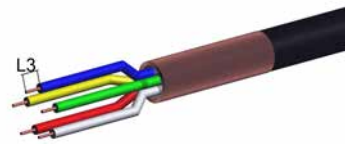
Fold back shield braid.

5.



Remove any filling elements from cable.

6.



Remove dielectric insulation of single wires (L3 = 5-8 mm [.197" - .315"]).

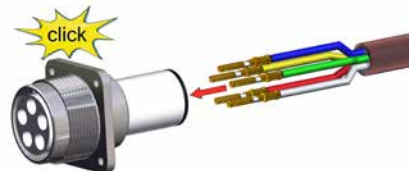
7.



Crimp or solder one male contact (1) each on every conductor.

⚠ For soldering: Tin-solder must not remain on contact surface!

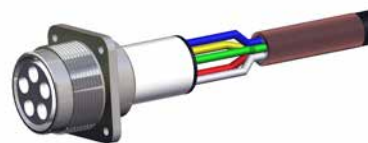
8.



Slide contacts completely into connector shell until contacts snap into place.

🗨 Pull gently to check that contacts are correctly located and remain in position.

9.



Assembly finished.

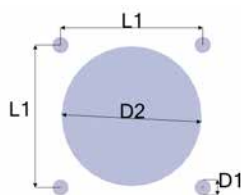
Assembly Instructions Series MC - type 520 plug, panel mount

1.



Part as supplied.
Shrinking tubes (1), male contacts (2), connector housing (3).

2.



Panel cut out

Type	L1 mm [inch]	D1 mm [inch]	D2 mm [inch]
GS 520	29.30 [1.154"]	3.00 [0.118"]	29.00 [1.142"]

3.

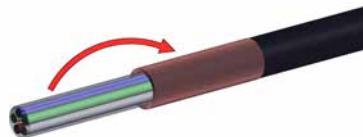


Carefully remove cable jacket.

Type	L2 mm [inch]
GS 520	min. 60 [2.362"]

⚠ Do not damage metal shield braid.

4.



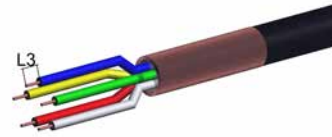
Fold back shield braid.

5.



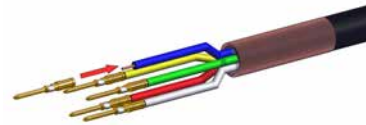
Remove any filling elements from cable.

6.



Remove dielectric insulation of single wires (L3 = 5-8 mm [.197" - .315"]).

7.



Crimp or solder one male contact (1) each on every conductor.
🗨 For soldering: Tin-solder must not remain on contact surface!

8.



Put shrinking tubes on insulation tubes on back of connector housing.

9.



Slide contacts completely into insulation tubes until contacts snap into place.
🗨 Pull gently to check that contacts are correctly located and remain in position

10.



Shrink tubes - shrinking temperature 110° C.

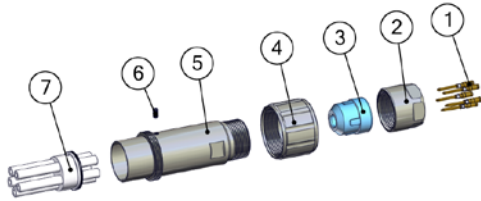
11.



Assembly finished.

Assembly Instructions Series MC - type 520 plug, cable mount

1.



Part as supplied

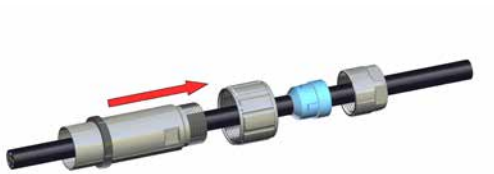
Male contacts (1), cap (2), sealing insert (3), screw joint (4), basis (5), threaded pin (6), insulation insert (7).

5.



Fix shield braid with tape.

2.



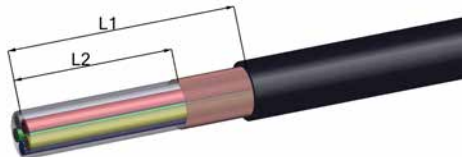
Place cap (2), sealing insert (3), screw joint (4) and basis (5) onto cable.

6.



Remove any filling elements from cable.

3.

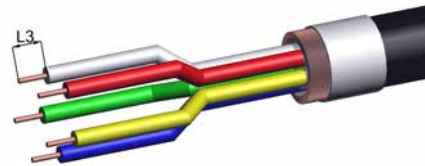


Remove cable jacket.

Type	L1 mm [inch]	L2 mm [inch]
KS 207 / 307 / 407 / 507	50 [1.968"]	35 [1.377"]

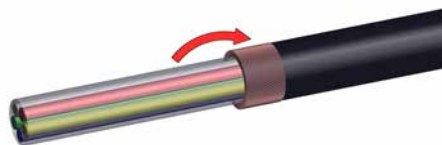
⚠ Do not damage metal shield braid.

7.



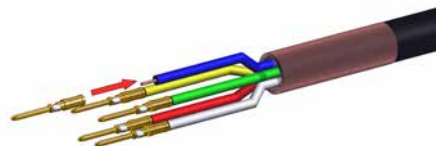
Remove dielectric insulation (L3 = 5-8 mm [.197" - .315"]).

4.



Fold back shield braid over jacket.

8.




Crimp or solder female contacts (1) on conductor.

⚠ For soldering: Tin-solder must not remain on contact surface.

Assembly Instructions Series MC - type 520 plug, cable mount

9.



Slide male contacts (1) completely into insulation tubes (7) until contacts snap into place.
 Pull gently to check that contacts are correctly located and remain in position.

10.



Remove tape and place basis (5) onto insulation insert (7)

11.



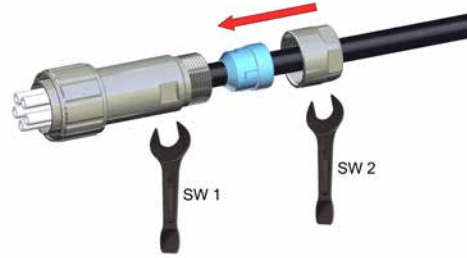
Secure insulation insert (7) with threaded pin (6), then screw joint (4) onto basis (5).

12.



Widen shield braid.

13.



Insert sealing (3) completely and screw cap (2) onto basis (5).

Cable gland type	SW 1	SW 2
KS 520	26	26

Tightening torque is 7 Nm

14.



Assembly finished.

Assembly Instructions Series MC - type 520 receptacle, cable mount & coupling



Part as supplied.
Female contacts (1), cap (2), sealing insert (3), screw joint (4), basis (5), threaded pin (6), insulation insert (7).



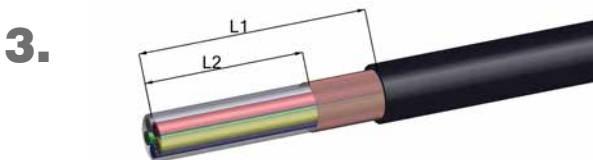
Fix shield braid with tape.



Place cap (2), sealing insert (3), screw joint (4) and basis (5) onto cable



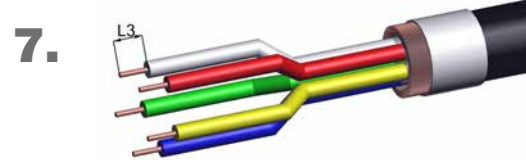
Remove any filling elements from cable.



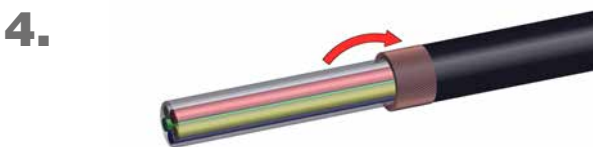
Remove cable jacket.

Type	L1 mm [inch]	L2 mm [inch]
KS 207 / 307 / 407 / 507	50 [1.968"]	35 [1.377"]

⚠ Do not damage metal shield braid



Remove dielectric insulation (L3 = 5-8 mm [.197" - .315"]).



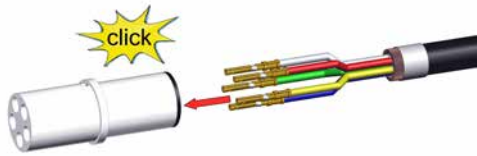
Fold back shield braid over jacket.




Crimp or solder female contacts (1) on conductor.
⚠ For soldering: Tin-solder must not remain on contact surface.

Assembly Instructions Series MC - type 520 receptacle, cable mount & coupling

9.



Slide female contacts (1) completely into housing basis (7) until contacts snap into place.

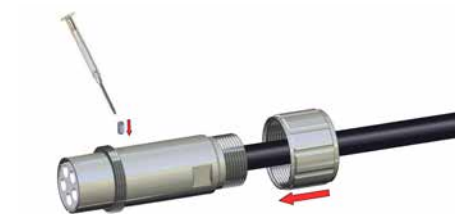
 Pull gently to check that contacts are correctly located and remain in position

10.



Remove tape and place basis (5) onto insulation insert (7)

11.



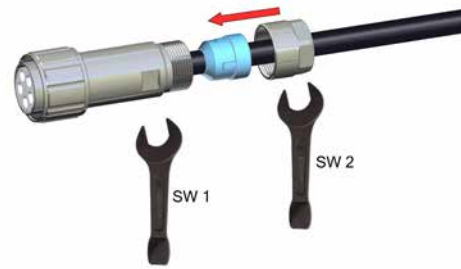
Secure insulation insert (7) with threaded pin (6), then screw joint (4) onto basis (5).

12.



Widen shield braid.

13.



Insert sealing (3) completely and screw cap (2) onto basis (5).

Cable gland type	SW 1	SW 2
KB 520	26	26

Tightening torque is 7 Nm

14.



Assembly finished.