

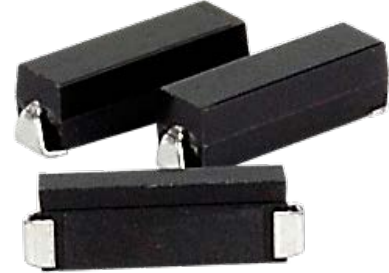


# SLA30S

30kV, 40mA, Fast Recovery  
SMD High Voltage Diode

## Features

- Surface mount, J-leaded package
- Available in cut tape and 1,000 piece reels
- Molded plastic body, ANSI/UL94 V-0 rated material
- RoHS compliant to Directive 2011/65/EC, Article 4(1), Annex II, Annex III, 7(a) and EU RoHS Directive (EU) 2015/863 of March 2015, Amending Annex II

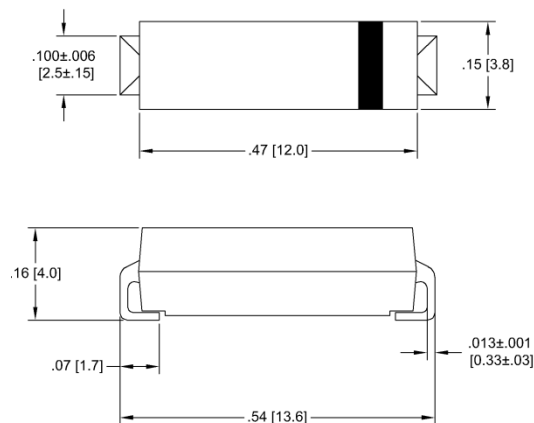


## DEVICE ELECTRICAL CHARACTERISTICS

(25°C ambient temperature unless stated otherwise)

	Conditions	Symbol	Value	
Maximum Repetitive Peak Reverse Voltage	-	$V_{RRM}$	30,000 Volts	
Average Forward Current Maximum	$T_C = 70^\circ\text{C}$	$I_{FAVM}$	25 mA	
Average Forward Current Maximum	$T_L = 55^\circ\text{C}$	$I_{FAVM}$	40 mA	
Average Forward Current Maximum	$T_L = 100^\circ\text{C}$	$I_{FAVM}$	12 mA	
Thermal Resistance (typical) in °C/W	Leads mounted on 5mm x 5mm copper pad.	$R\theta$	$R\theta_{JC}$	$R\theta_{JL}$
			60	52
Maximum Forward Voltage Drop	$I_F = 40\text{mA}$	$V_F$	55 Volts	
Maximum Surge Current Rating	8.3msec, half sine	$I_{FSM}$	3 Amps	
Maximum Reverse Current	at rated $V_{RRM}$	$I_R$	0.5 $\mu\text{A}$	
Maximum Reverse Recovery Time	$I_F=20\text{mA}; I_R=-50\text{mA}; I_{rr}=-10\text{mA}$	$T_{RR}$	100 ns	
Junction Capacitance (typical)	$f = 1\text{MHz}, V_r = 0\text{VDC}$	$C_J$	0.4 pf	
Maximum Junction Temperature	-	$T_J$	125°C	
Storage Temperature Range	-	$T_{STG}$	-55°C to 150°C	

## MECHANICAL DATA:



DIMENSIONS IN INCHES (MM)