

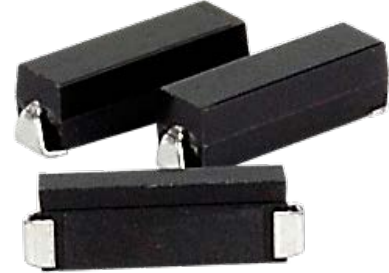


SLA25S

25kV, 50mA, Fast Recovery
SMD High Voltage Diode

Features

- Surface mount, J-leaded package
- Available in cut tape and 1,000 piece reels
- Molded plastic body, ANSI/UL94 V-0 rated material
- RoHS compliant to Directive 2011/65/EC, Article 4(1), Annex II, Annex III, 7(a) and EU RoHS Directive (EU) 2015/863 of March 2015, Amending Annex II

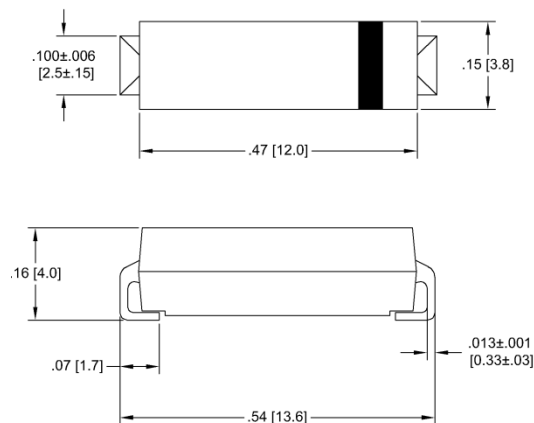


DEVICE ELECTRICAL CHARACTERISTICS

(25°C ambient temperature unless stated otherwise)

	Conditions	Symbol	Value	
Maximum Repetitive Peak Reverse Voltage	-	V_{RRM}	25,000 Volts	
Average Forward Current Maximum	$T_C = 70^\circ\text{C}$	I_{FAVM}	32 mA	
Average Forward Current Maximum	$T_L = 55^\circ\text{C}$	I_{FAVM}	50 mA	
Average Forward Current Maximum	$T_L = 100^\circ\text{C}$	I_{FAVM}	18 mA	
Thermal Resistance (typical) in °C/W	Leads mounted on 5mm x 5mm copper pad.	$R\theta$	$R\theta_{JC}$	$R\theta_{JL}$
			57	50
Maximum Forward Voltage Drop	$I_F = 50\text{mA}$	V_F	45 Volts	
Maximum Surge Current Rating	8.3msec, half sine	I_{FSM}	3 Amps	
Maximum Reverse Current	at rated V_{RRM}	I_R	0.5 μA	
Maximum Reverse Recovery Time	$I_F=20\text{mA}; I_R=-50\text{mA}; I_{rr}=-10\text{mA}$	T_{RR}	100 ns	
Junction Capacitance (typical)	$f = 1\text{MHz}, V_r = 0\text{VDC}$	C_J	0.5 pf	
Maximum Junction Temperature	-	T_J	125°C	
Storage Temperature Range	-	T_{STG}	-55°C to 150°C	

MECHANICAL DATA:



DIMENSIONS IN INCHES (MM)