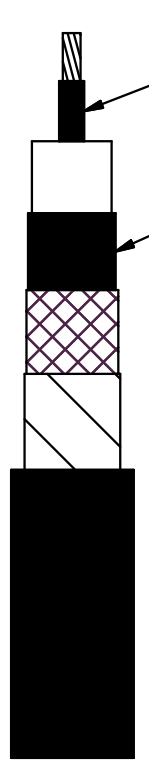


1 2 3 4

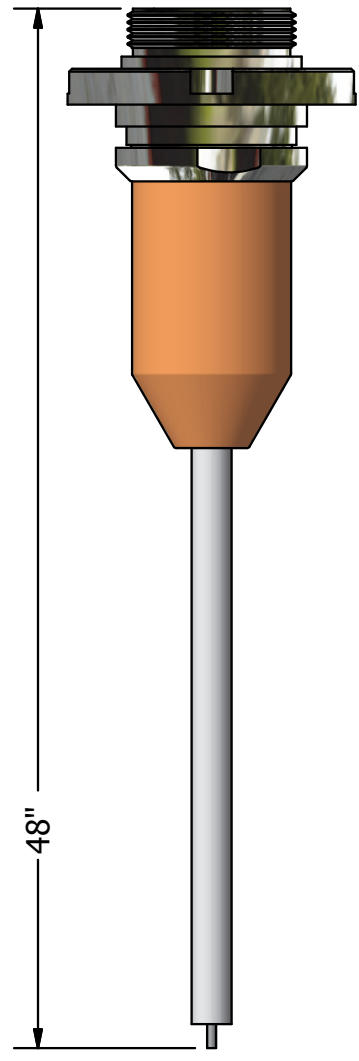
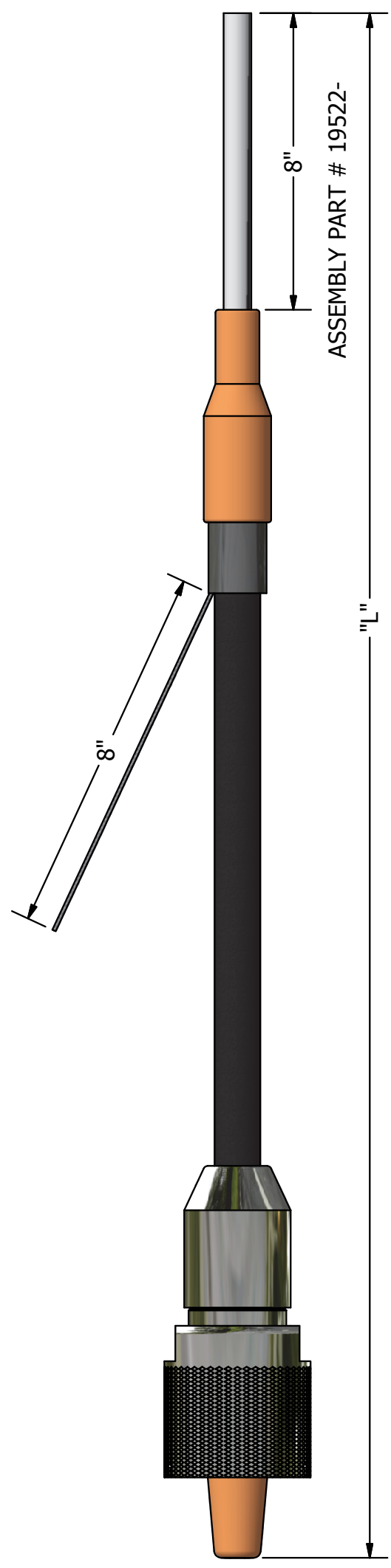
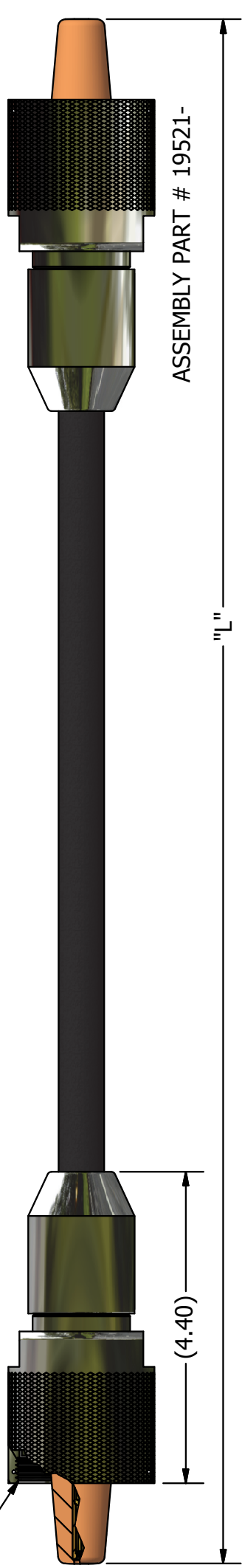
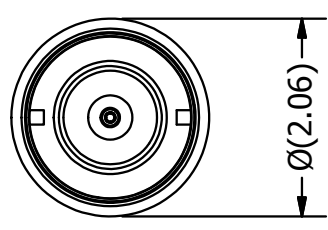
TO CONSTRUCT A PART NUMBER, MATCH THE LENGTH "L" WITH AN ASSEMBLY NUMBER										
PART NUMBER CONSTRUCTION CHART				L1	L2	L3	L4	L5	L6	L7
ASSEMBLY LENGTHS		N/A	N/A	N/A	24"	36"	48"	96"		
CUSTOM LENGTHS: CONTACT FACTORY										
EXAMPLE: If you require assembly part # 19521- and you want it to be 96" long, then your part # would be 19521-L7										

19 SERIES
HIGH VOLTAGE CABLE
PART # 3CC30982

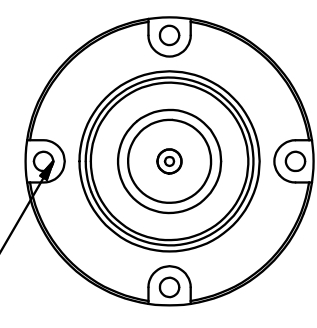


EXTRUDED SEMICONDUCTIVE SILICONE

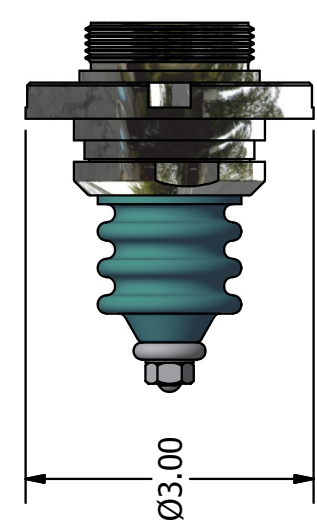
1 3/4 DOUBLE STUB THREAD



13194 RECEPTACLE
FOR USE IN AIR



Ø.201 THROUGH HOLES EQUALLY
SPACED ON 2.625 BC



19511 RECEPTACLE
FOR USE IN TRANSFORMER OIL

SERIES	VOLTAGE	CURRENT
19	60 KVDC	20 AMPS
WEB	PHONE	FAX
WWW.CATON.COM	781-585-4315	781-585-2973

B

A

1 2 3 4