

UltraVolt
Regulated High Voltage Power Supply
MODELS 1/8A TO 6A ILLUSTRATED

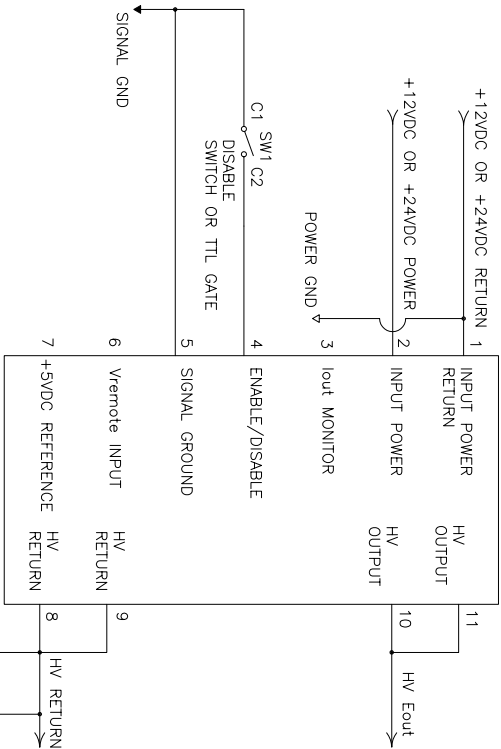


FIGURE A.
BASIC CONNECTIONS
100:1 OUTPUT VOLTAGE MONITOR
TO DRIVE A 10 MEG DIMM OR ADC

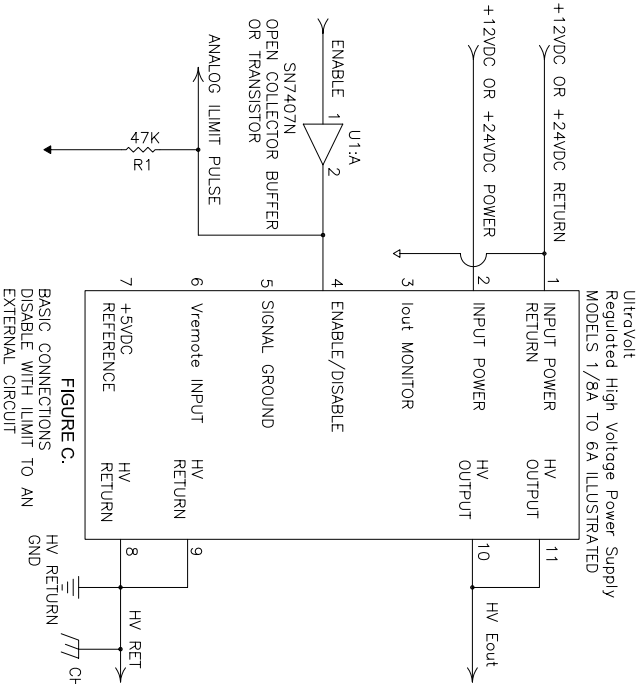


FIGURE B.
BASIC CONNECTIONS
WITH HIGH AND/OR LOW RANGE
ADJUST LIMIT RESISTORS

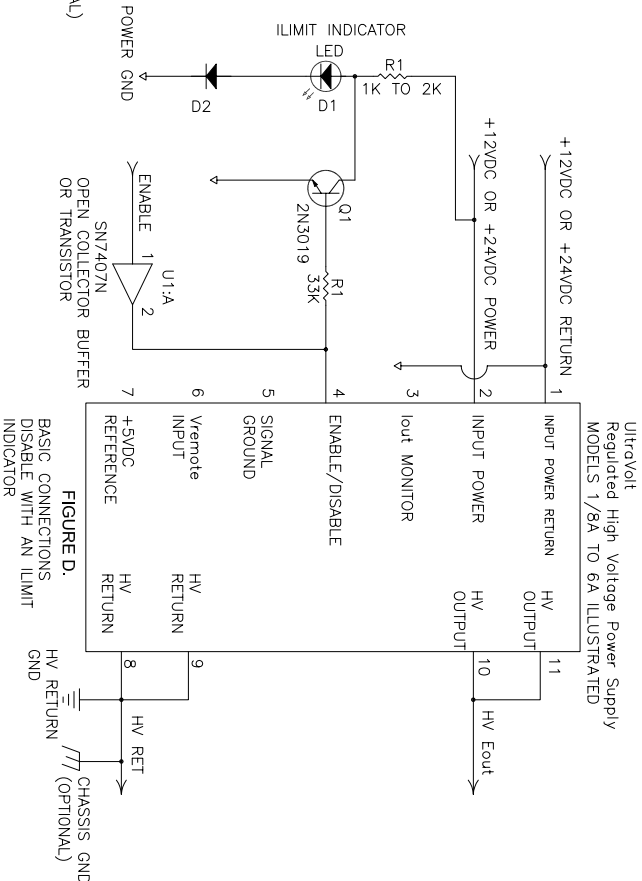


FIGURE C.
BASIC CONNECTIONS
DISABLE WITH I LIMIT TO AN
EXTERNAL CIRCUIT

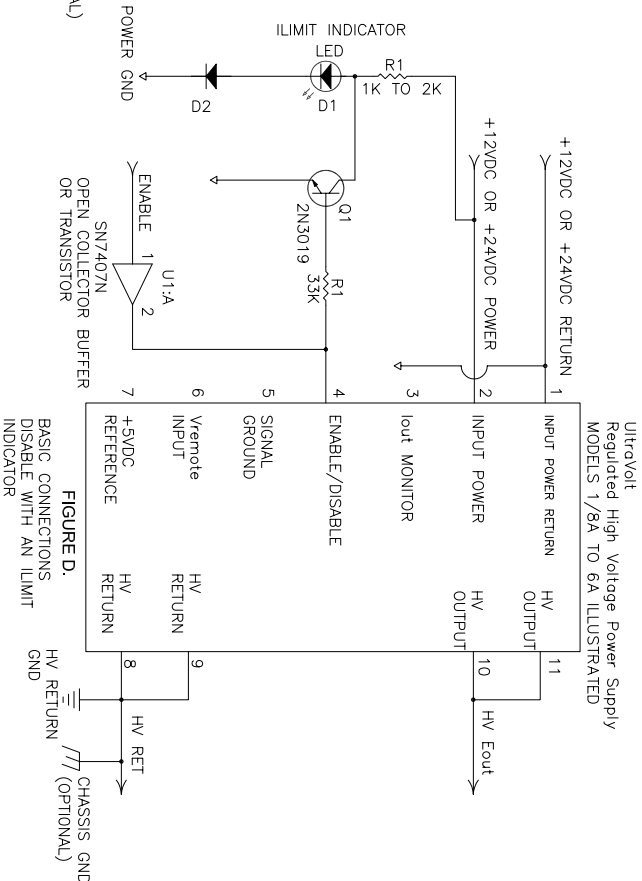


FIGURE D.
TYPICAL HPS CONNECTIONS
DISABLE WITH AN I LIMIT
INDICATOR

UltraVolt, Inc.
1800 Ocean Ave. Frnt
Ronkonkoma, NY 11779
1-631-471-4444

NOTES: REFER TO UV APPLICATION NOTES FOR MORE DETAILED INFORMATION
UV HPS POWER INPUT SHOULD NOT EXCEED +32VDC.
A 0.1uF TO 1.0 uF CAPACITOR CAN BE ADDED FROM REMOTE ADJUST
TO SIGNAL GROUND IN HIGH NOISE ENVIRONMENTS.

Size	Number	Rev.
A	UV- HPS-CONN-2	E1
Date	4/20/00	Drawn By
Filename UV-HPS-CONN-2.rvt.dwg		Sheet 1 Of 1

Title
TYPICAL HPS CONNECTIONS - ENABLE/DISABLE